



## Product Range



Taper Lock Pulley



V. Belt Pulley



Timing Pulley



Poly V Pulley



Keyless Bush



Pin Bush Coupling



Tyre Coupling



Star Coupling



HRC Jaw Coupling



Gear Coupling



Sprockets





[www.shaktipulley.com](http://www.shaktipulley.com)

Couplings, Pulleys & Sprockets

## OUR FACILITY



 <b>50 HP</b> Branded Motor	+	<b>LOCAL PULLEY</b>	=	<b>25 HP OUTPUT</b> 50% Power Loss
 <b>50 HP</b> Branded Motor	+	<b>Shakti Pulley</b> <i>Couplings, Pulleys &amp; Sprockets</i>	=	<b>48 HP OUTPUT</b> 4% Power Loss

### Advantages of Using Shakti Pulley

	<b>Shakti Pulley</b>	Local Pulley
Precision Made Pulleys on CNC Machines as per IS 3142	✓	✗
Balanced Pulley, Fully Machined	✓	✗
Energy Saving by accurate matching of belt & grooves	✓	✗
Use of Graded Castings (FG200/FG260) causing less wear	✓	✗
No Run-out or Wobble in Pulleys, Increased Belt Life	✓	✗
Rust Preventive Black Phosphate Finish	✓	✗

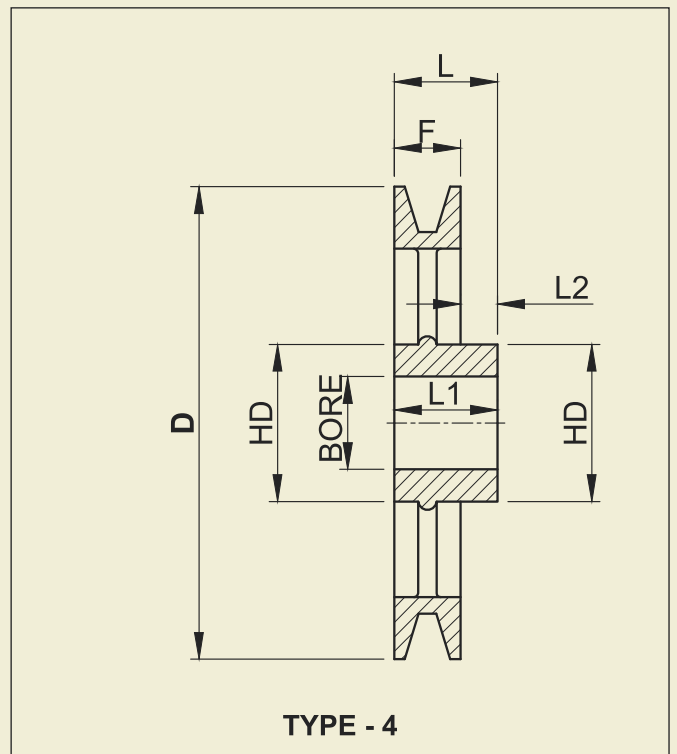
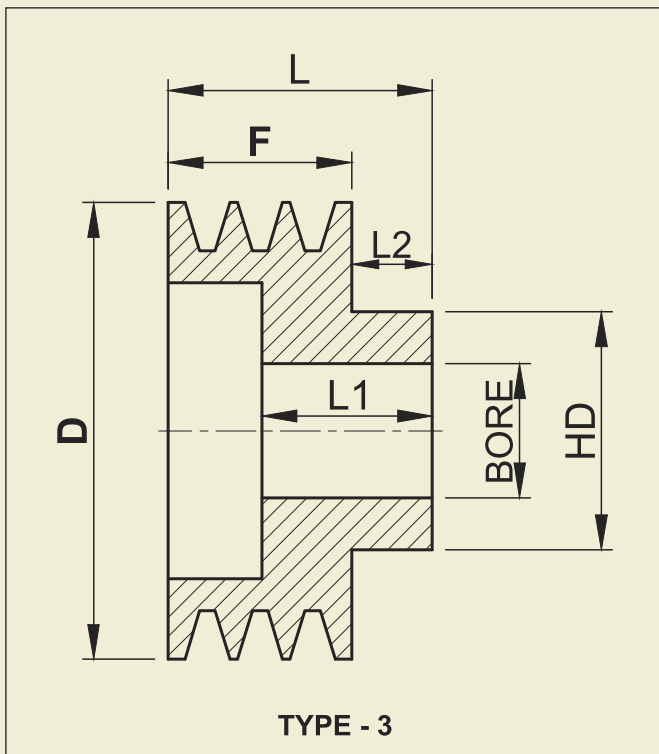
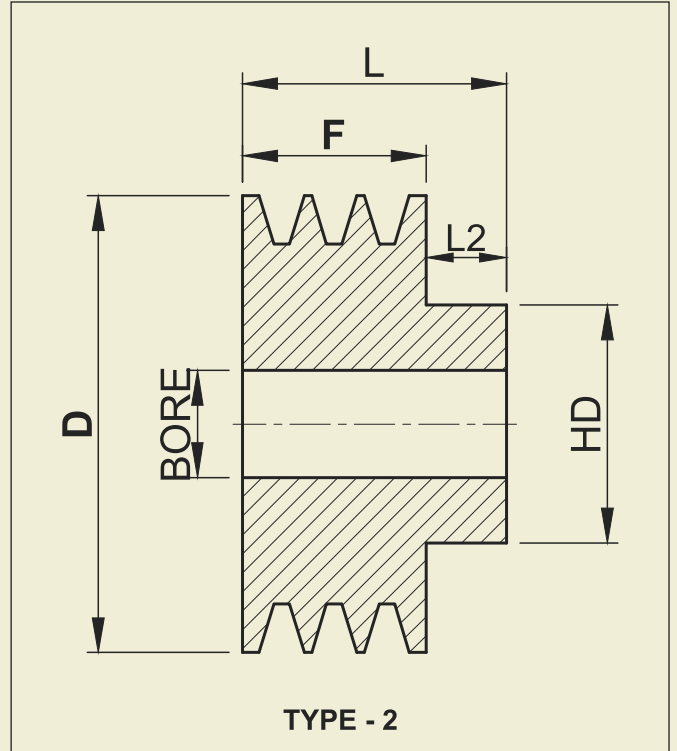
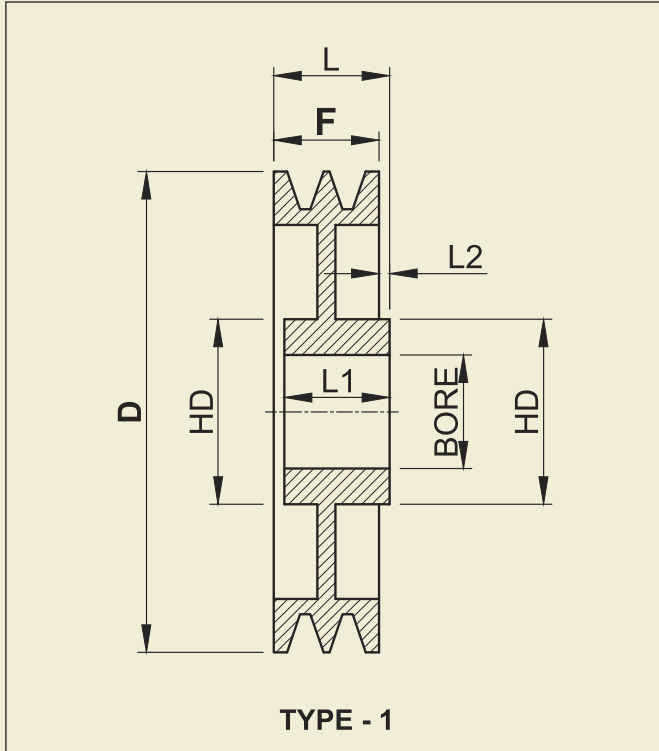
### HOW DO WE ACHIEVE THIS

- Use of graded casting as per International standards.
- Accurate and precise machining of grooves to prevent belt slippage.
- Manufacturing Unit has an ultra modern facility equipped with state-of-the-art CNC machines.
- Dynamic Balancing of pulleys as per grade G 6.3 helps to improve machine life.
- Maintain optimum hardness of the casting to enhance groove life.

### PRODUCT RANGE

- Taper Bush Pulleys
- V. Belt Pulleys
- Pin Bush Couplings
- Tyre Couplings
- Star Couplings
- Gear Couplings
- Sprockets
- Timing Pulley
- Keyless Bushes

**V-Belt Pulley - Type**



### FOR USE WITH 'A' BELTS & 'SPA' BELTS (Plain Pulley)

Outer Dia.	No. of Grooves	Pulley Type	Face (F)	Hub Dia. (HD)	Hub Length Outside of Face (L2)	Total Width of Pulley + Hub (L)	Total Hub Length (L1)	Maximum Bore Capacity
3"	1	2	20	50	18	38	-	35
	2	2	35	52	18	53	-	35
	3	2	50	62	18	68	-	40
	4	2	65	65	18	83	-	45
3.5"	1	2	20	58	18	38	-	40
	2	2	35	57	18	53	-	40
	3	2	50	58	18	68	-	40
	4	2	65	65	18	83	-	45
4"	1	2	20	62	18	38	-	40
	2	2	35	65	18	53	-	45
	3	2	50	65	18	68	-	45
	4	2	65	65	18	83	-	45
4.5"	1	2	20	65	18	38	-	45
	2	2	35	68	18	53	-	45
	3	2	50	65	18	68	-	45
	4	2	65	65	18	83	-	45
5"	1	2	20	67	18	38	-	45
	2	2	35	70	18	53	-	45
	3	2	50	72	18	68	-	50
	4	2	65	73	18	83	-	50
5.5"	1	2	20	70	18	38	-	45
	2	2	35	70	18	53	-	45
	3	2	50	72	18	68	-	50
	4	2	65	75	18	83	-	50
6"	1	2	20	67	18	38	-	45
	1	4	20	60	15	35	35	40
	1	1	20	68	18	38	38	45
	2	4	35	65	15	50	41	45
	2	2	35	80	18	53	-	55
	3	2	50	85	18	68	-	55
	3	4	50	65	15	65	50	45
	4	2	65	85	18	83	-	55

Dimensions in millimetres unless otherwise stated.

Dimensions given in chart are approximate.

### FOR USE WITH 'A' BELTS & 'SPA' BELTS (Plain Pulley)

Outer Dia.	No. of Grooves	Pulley Type	Face (F)	Hub Dia. (HD)	Hub Length Outside of Face (L2)	Total Width of Pulley + Hub (L)	Total Hub Length (L1)	Maximum Bore Capacity
7"	1	2	20	68	18	38	-	45
	1	1	20	68	18	38	38	45
	1	4	20	65	15	35	35	45
	2	2	35	67	18	53	-	45
	2	4	35	70	15	50	41	45
	2	1	35	67	18	53	47	45
	3	2	50	72	18	68	-	50
	3	1	50	72	18	68	60	50
	3	4	50	70	15	65	50	45
	4	2	65	75	18	83	-	60
8"	1	2	20	70	18	38	-	45
	1	1	20	70	18	38	38	45
	1	4	20	70	15	35	35	45
	2	2	35	72	18	53	-	50
	2	1	35	72	18	53	45	50
	2	4	35	70	15	50	41	45
	3	2	50	80	18	68	-	55
	3	1	50	80	18	68	56	55
	3	4	50	70	15	65	50	45
	4	2	65	80	18	83	-	55
	4	1	65	80	18	83	65	55
9"	1	2	20	70	18	38	-	45
	1	1	20	70	18	38	38	45
	1	4	20	70	15	35	35	45
	2	2	35	70	18	53	-	45
	2	1	35	70	18	53	44	45
	2	4	35	70	15	50	41	45
	3	2	50	72	18	68	-	50
	3	1	50	72	18	68	56	50
	3	4	50	70	15	65	50	45
	4	2	65	90	18	83	-	60
	4	1	65	90	18	83	-	60

Dimensions in millimetres unless otherwise stated.

Dimensions given in chart are approximate.

## FOR USE WITH 'A' BELTS & 'SPA' BELTS (Plain Pulley)

Outer Dia.	No. of Grooves	Pulley Type	Face (F)	Hub Dia. (HD)	Hub Length Outside of Face (L2)	Total Width of Pulley + Hub (L)	Total Hub Length (L1)	Maximum Bore Capacity
10"	1	1	20	70	18	38	38	45
	1	4	20	70	15	35	35	45
	2	1	35	77	18	53	49	50
	2	4	35	70	15	50	41	45
	3	1	50	80	18	68	56	55
	3	4	50	70	15	65	50	45
	4	1	65	100	18	83	65	65
12"	1	1	20	70	18	38	38	45
	1	4	20	70	15	35	35	45
	2	1	35	70	18	53	49	45
	2	4	35	70	15	50	41	45
	3	1	50	95	18	68	55	65
	3	4	50	75	15	65	50	50
	4	1	65	105	18	83	60	70
14"	1	1	20	77	18	38	38	50
	2	1	35	85	18	53	53	55
	3	1	50	80	18	68	63	55
	4	1	65	115	18	83	67	75
16"	1	1	20	75	18	38	40	50
	2	1	35	85	18	53	52	55
	3	1	50	90	18	68	62	60
	4	1	65	110	18	83	67	75
18"	1	1	20	85	18	38	52	55
	2	1	35	85	18	53	60	55
	3	1	50	107	18	68	52	70
	4	1	65	120	18	83	67	80
20"	1	1	20	70	18	38	30	45
	2	1	35	85	18	53	45	55
	3	1	50	105	18	68	45	70
	4	1	65	120	18	83	68	80

Dimensions in millimetres unless otherwise stated.

Dimensions given in chart are approximate.

### FOR USE WITH 'A' BELTS & 'SPA' BELTS (Plain Pulley)

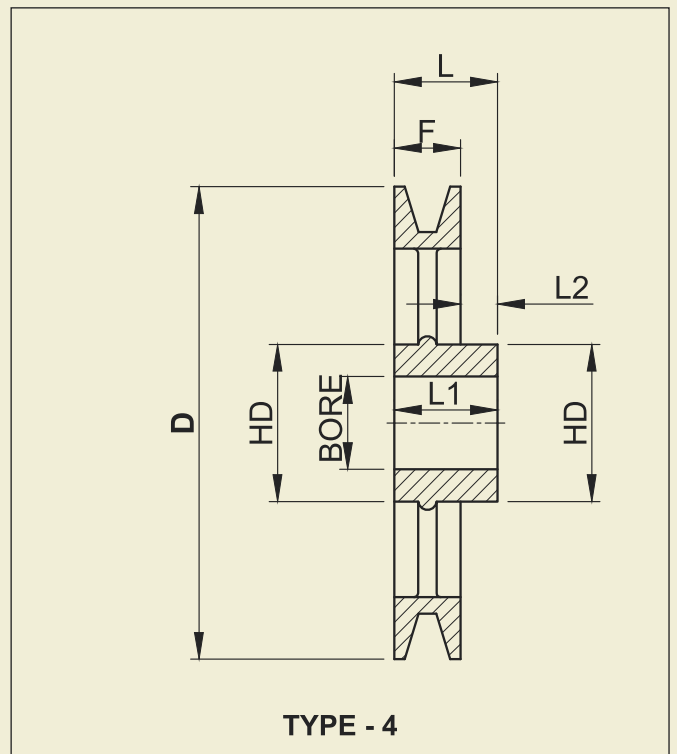
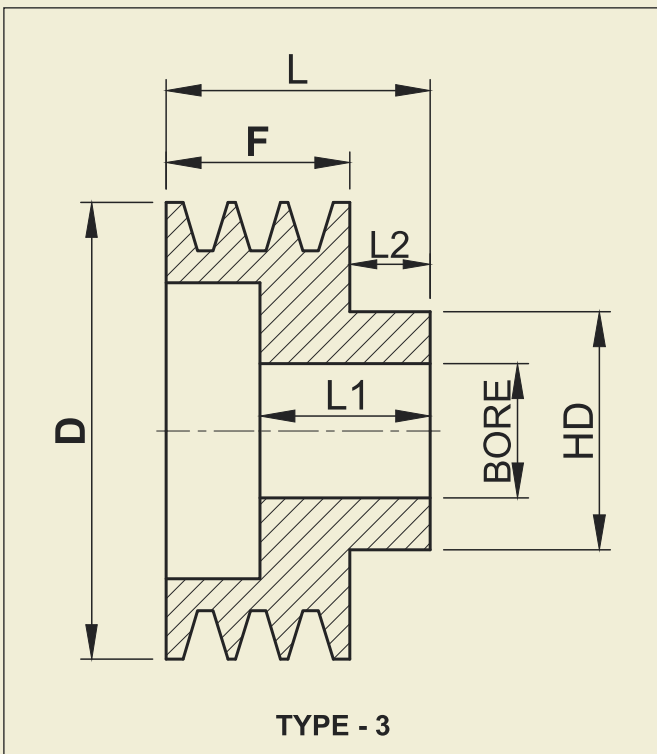
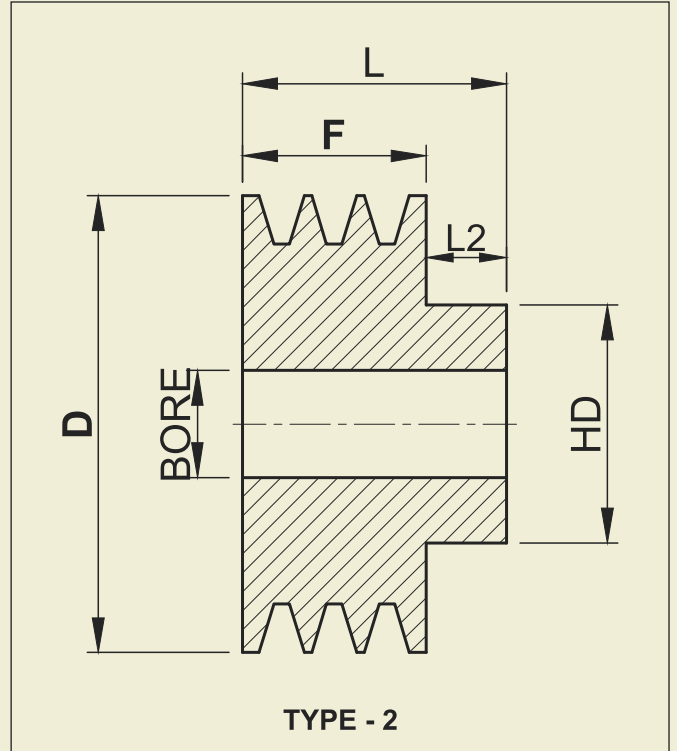
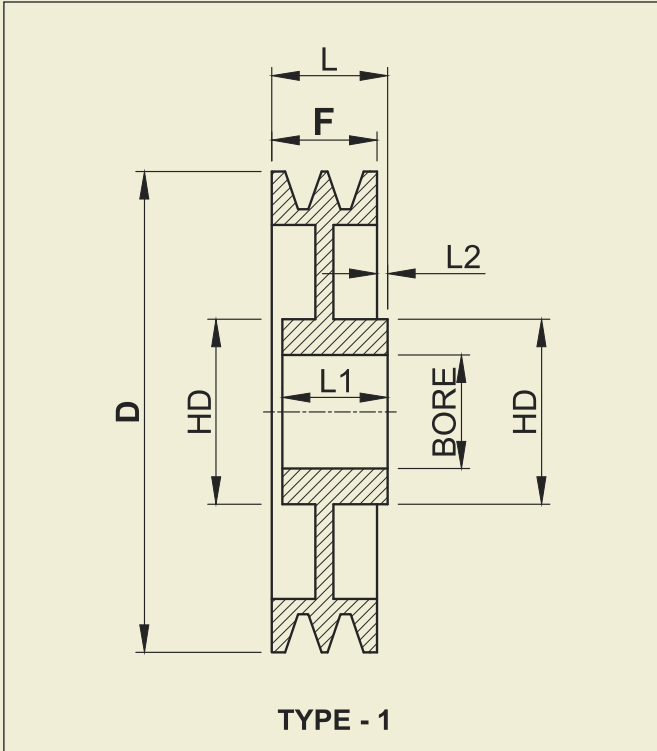
Outer Dia.	No. of Grooves	Pulley Type	Face (F)	Hub Dia. (HD)	Hub Length Outside of Face (L2)	Total Width of Pulley + Hub (L)	Total Hub Length (L1)	Maximum Bore Capacity
22"	1	1	20	90	18	38	38	60
	2	1	35	107	18	53	43	70
	3	1	50	115	18	68	58	75
	4	1	65	135	18	83	68	90
24"	1	1	20	90	18	38	38	60
	2	1	35	115	18	53	43	75
	3	1	50	115	18	68	53	75
	4	1	65	135	0	65	65	90

Dimensions in millimetres unless otherwise stated.

Dimensions given in chart are approximate.



### V-Belt Pulley - Type



## FOR USE WITH 'B' BELTS & 'SPB' BELTS (Plain Pulley)

Outer Dia.	No. of Grooves	Pulley Type	Face (F)	Hub Dia. (HD)	Hub Length Outside of Face (L2)	Total Width of Pulley + Hub (L)	Total Hub Length (L1)	Maximum Bore Capacity
3"	1	2	25	51	18	43	-	35
	2	2	44	53	18	62	-	35
	3	2	63	55	18	81	-	40
	4	2	82	62	18	100	-	40
	5	2	101	62	18	119	-	40
3.5"	1	2	25	60	18	43	-	40
	2	2	44	57	18	62	-	40
	3	2	63	65	18	81	-	45
	4	2	82	65	18	100	-	45
	5	2	101	65	18	119	-	45
4"	1	2	25	64	18	43	-	40
	2	2	44	66	18	62	-	45
	3	2	63	67	18	81	-	45
	4	2	82	67	18	100	-	45
	5	2	101	67	18	119	-	45
4.5"	1	2	25	65	18		-	45
	2	2	44	68	18	62	-	45
	3	2	63	68	18	81	-	45
	4	2	82	75	18	100	-	50
	5	2	101	75	18	119	-	50
5"	1	2	25	68	18	43	-	45
	2	2	44	74	18	62	-	50
	3	2	63	75	18	81	-	50
	4	2	82	75	18	100	-	50
	5	2	101	90	18	119	-	60
5.5"	1	2	25	70	18	43	-	45
	2	2	44	73	18	62	-	50
	3	2	63	75	18	81	-	50
	4	2	82	76	18	100	-	50
	5	2	101	82	18	119	-	55

Dimensions in millimetres unless otherwise stated.

Dimensions given in chart are approximate.

## FOR USE WITH 'B' BELTS & 'SPB' BELTS (Plain Pulley)

Outer Dia.	No. of Grooves	Pulley Type	Face (F)	Hub Dia. (HD)	Hub Length Outside of Face (L2)	Total Width of Pulley + Hub (L)	Total Hub Length (L1)	Maximum Bore Capacity
6"	1	1	25	68	18	43	39	45
	1	4	23.5	60	15.75	39.25	38	40
	1	2	25	68	18	43	-	45
	2	2	44	85	18	62	-	55
	2	4	44	65	15	59	46	45
	3	2	63	85	18	81	-	55
	4	2	82	85	18	100	-	55
7"	5	2	101	88	18	119	-	55
	1	1	25	70	18	43	41	45
	1	4	23.5	70	15.75	39.25	38	45
	1	2	25	70	18	43	-	45
	2	4	44	70	15	59	46	45
	2	1	44	72	18	62	46	50
	2	2	44	95	18	62	-	65
	3	1	63	76.5	18	81	60	50
	3	2	63	95	18	81	-	65
	3	4	63	70	15	78	63	45
	4	1	82	72	18	100	82	50
8"	4	2	82	90	18	100	-	60
	5	2	101	105	18	119	-	70
	1	1	25	74	18	43	41	50
	1	4	23.5	72	15.75	39.25	38	50
	1	2	25	74	18	43	-	50
	2	1	44	80	18	62	57	55
	2	4	44	70	15	59	46	45
	2	2	44	80	18	62	-	55
	3	1	63	83	18	81	64	55
	3	2	63	95	18	81	-	65
	3	4	63	83	15	78	63	55
	4	1	82	95	18	100	80	65
4	2	82	94	18	100	-	65	
5	2	101	90	18	119	-	60	

Dimensions in millimetres unless otherwise stated.

Dimensions given in chart are approximate.

### FOR USE WITH 'B' BELTS & 'SPB' BELTS (Plain Pulley)

Outer Dia.	No. of Grooves	Pulley Type	Face (F)	Hub Dia. (HD)	Hub Length Outside of Face (L2)	Total Width of Pulley + Hub (L)	Total Hub Length (L1)	Maximum Bore Capacity
9"	1	1	25	73	18	43	39	50
	1	4	23.5	72	15.75	39.25	38	50
	1	2	25	73	18	43	-	50
	2	1	44	74	18	62	52	50
	2	4	44	75	15	59	46	50
	2	2	44	74	18	62	-	50
	3	1	63	90	18	81	62	60
	3	2	63	90	18	81	-	60
	3	4	63	83	15	78	63	55
	4	1	82	105	18	100	82	70
	4	2	82	105	18	100	-	70
	5	2	101	100	18	119	-	65
10"	1	1	25	72	18	43	41	50
	1	4	23.5	72	15.75	39.25	38	50
	1	2	25	72	18	43	-	50
	2	4	44	75	15	59	46	50
	2	1	44	85	18	62	56	55
	2	2	44	85	18	62	-	55
	3	1	63	100	18	81	66	65
	3	2	63	100	18	81	-	65
	3	4	63	100	15	78	63	65
	4	1	82	112	18	100	80	75
5	1	101	110	18	119	96	75	
11"	1	1	23.5	72	18	41.5	41.5	50
	1	4	23.5	75	15.75	39.25	38	50
	2	1	44	82	18	62	55	54
	2	4	44	75	15	59	46	50
	2	2	44	82	18	62	-	54
	3	1	63	90	18	81	67	60
	3	4	63	100	15	78	63	65
	4	1	82	115	18	100	82	75
	5	1	101	120	18	119	96	80

Dimensions in millimetres unless otherwise stated.

Dimensions given in chart are approximate.

### FOR USE WITH 'B' BELTS & 'SPB' BELTS (Plain Pulley)

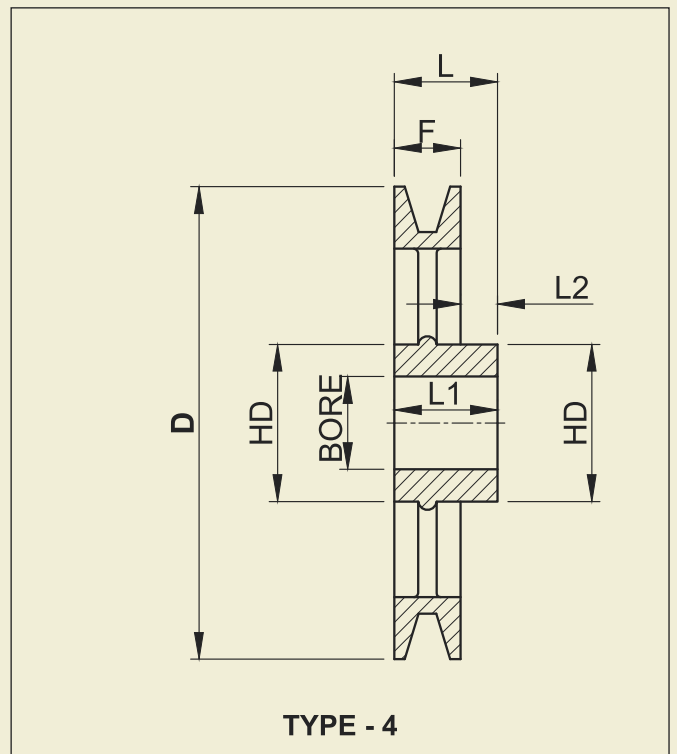
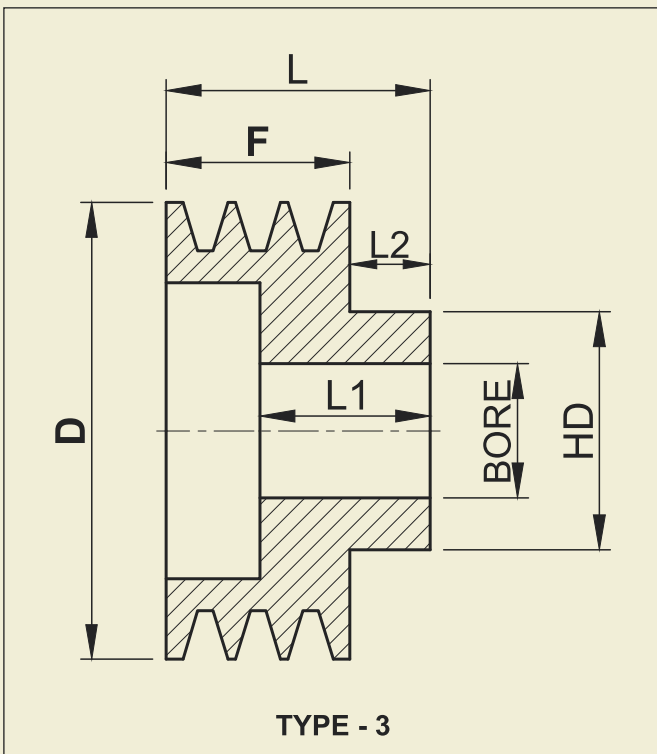
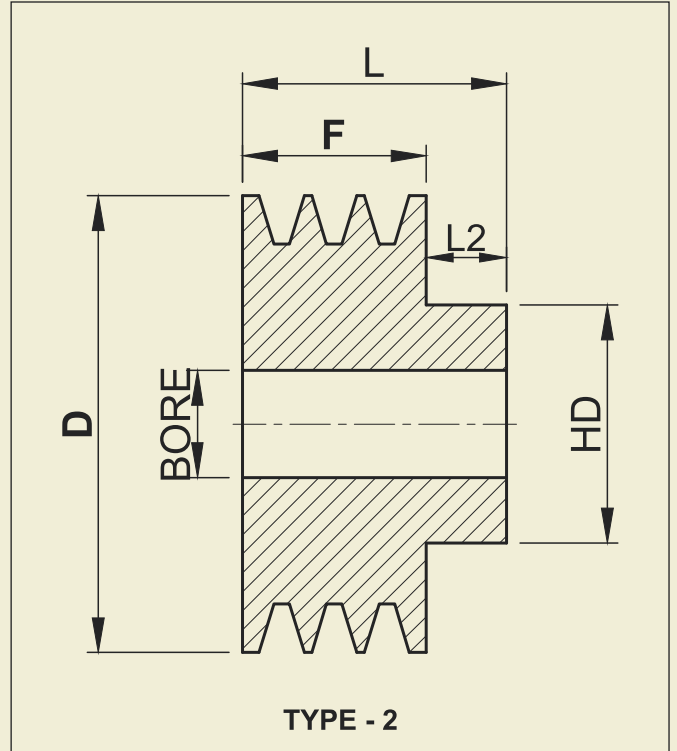
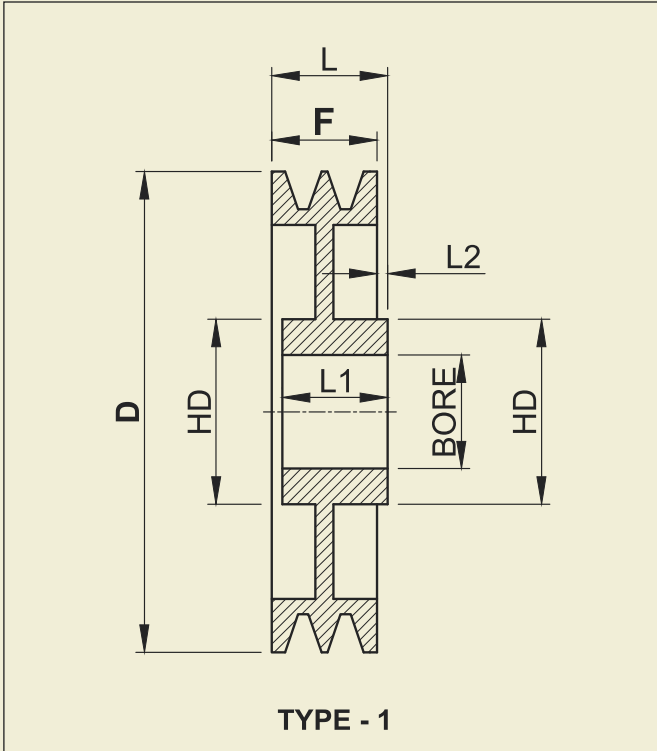
Outer Dia.	No. of Grooves	Pulley Type	Face (F)	Hub Dia. (HD)	Hub Length Outside of Face (L2)	Total Width of Pulley + Hub (L)	Total Hub Length (L1)	Maximum Bore Capacity
12"	1	1	25	85	18	43	46	55
	1	4	23.5	75	15.75	39.25	38	50
	2	1	44	95	18	62	58	65
	2	4	44	75	15	59	46	50
	3	1	63	105	18	81	66	70
	3	4	63	100	15	78	63	65
	4	1	82	125	18	100	76	85
	4	4	82	105	18	100	76	70
13"	1	1	25	72	18	43	40	50
	2	1	44	90	18	64	52	60
	3	1	63	90	18	81	64	60
	4	1	82	110	18	100	76	75
	5	1	101	125	18	119	100	85
14"	1	1	25	77	18	43	42	50
	2	1	44	97	18	62	58	65
	3	1	63	115	18	81	63	75
	4	1	82	125	18	100	84	85
	5	1	101	125	18	119	102	85
15"	1	1	25	70	18	43	41	45
	2	1	44	93	18	62	57	60
	3	1	63	110	18	81	74	75
	4	1	82	125	18	100	84	85
	5	1	101	122	18	119	96	80
16"	1	1	25	75	18	43	43	50
	2	1	44	87	18	62	52.8	60
	3	1	63	112	18	81	66	75
	4	1	82	125	18	100	84	85
	5	1	101	122	18	119	96	80
18"	1	1	25	89	18	43	43	60
	2	1	44	95	18	62	60	65
	3	1	63	120	18	81	68	80
	4	1	82	124	18	100	85	85
	5	1	101	132	0	101	76	90

Dimensions in millimetres unless otherwise stated.  
 Dimensions given in chart are approximate.

## FOR USE WITH 'B' BELTS & 'SPB' BELTS (Plain Pulley)

Outer Dia.	No. of Grooves	Pulley Type	Face (F)	Hub Dia. (HD)	Hub Length Outside of Face (L2)	Total Width of Pulley + Hub (L)	Total Hub Length (L1)	Maximum Bore Capacity
20"	1	1	25	89	18	43	43	60
	2	1	44	100	18	62	50	65
	3	1	63	120	18	81	66	80
	4	1	82	140	18	100	84	95
	4	4	82	140	18	100	84	95
	5	1	101	145	0	101	76	100
22"	1	4	25	90	18	43	43	60
	2	1	44	115	18	62	52	75
	3	4	63	135	0	63	63	90
	4	1	82	135	0	82	67	90
	5	1	101	145	0	101	76	100
24"	1	1	25	90	18	43	43	60
	2	1	44	115	18	62	61	75
	3	1	63	135	18	81	68	90
	4	1	82	135	0	82	82	90
	5	1	101	145	0	101	91	95

### V-Belt Pulley - Type



### FOR USE WITH 'C' BELTS & 'SPC' BELTS (Plain Pulley)

Outer Dia.	No. of Grooves	Pulley Type	Face (F)	Hub Dia. (HD)	Hub Length Outside of Face (L2)	Total Width of Pulley + Hub (L)	Total Hub Length (L1)	Maximum Bore Capacity
4"	1	2	34.5	60	18	52.5	-	40
	2	2	60	60	18	78	-	40
	3	2	85.5	65	18	103.5	-	45
	4	2	111	68	18	129	-	45
	5	2	136.5	68	18	154.5	-	45
5"	1	2	34.5	65	18	52.5	-	45
	2	2	60	75	18	78	-	50
	3	2	85.5	75	18	103.5	-	50
	4	2	111	85	18	129	-	55
	5	2	136.5	75	18	154.5	-	50
6"	1	2	34.5	68	18	52.5	-	45
	2	2	60	85	18	78	-	55
	3	2	85.5	85	18	103.5	-	55
	4	2	111	100	18	129	-	65
	5	2	136.5	100	18	154.5	-	65
7"	1	2	34.5	76	18	52.5	-	50
	1	4	32	76	16	48	48	50
	2	2	60	110	18	78	-	75
	2	4	60	85	16	76	76	55
	2	3	60	110	18	78	48	75
	3	2	85.5	110	18	103.5	-	75
	3	3	85.5	110	18	103.5	-	75
	3	4	85.5	85	16	101.5	81.5	55
	4	2	111	110	18	129	-	75
	5	2	136.5	110	18	154.5	-	75
8"	1	4	32	76	16	48	48	50
	2	4	60	85	16	76	76	55
	2	1	60	82	18	78	60	55
	2	2	60	125	18	78	-	85
	3	1	85.5	85	18	103.5	75	55
	3	4	85.5	85	16	101.5	81.5	55
	3	2	85.5	125	18	103.5	-	85
	4	1	111	90	18	129	95	60
	4	2	111	125	18	129	-	85
	5	3	136.5	125	18	136.5	100	85
5	2	136.5	125	18	154.5	-	85	

Dimensions in millimetres unless otherwise stated.

Dimensions given in chart are approximate.



## FOR USE WITH 'C' BELTS & 'SPC' BELTS (Plain Pulley)

Outer Dia.	No. of Grooves	Pulley Type	Face (F)	Hub Dia. (HD)	Hub Length Outside of Face (L2)	Total Width of Pulley + Hub (L)	Total Hub Length (L1)	Maximum Bore Capacity
9"	1	4	32	76	16	48	48	50
	2	1	60	100	18	78	58	65
	2	4	60	85	16	76	76	55
	2	2	60	125	20	80	-	85
	3	1	85.5	98	18	103.5	80	65
	3	2	85.5	125	18	103.5	-	85
	3	4	85.5	100	16	101.5	81.5	65
	4	1	111	100	18	129	100	65
	4	2	111	125	18	129	-	85
	5	3	136.5	125	0	136.5	94	85
5	2	136.5	125	18	154.5	-	85	
10"	1	4	32	76	16	48	48	50
	2	4	60	100	16	76	76	65
	2	1	60	100	18	78	60	65
	2	2	60	125	15	75	-	85
	3	1	85.5	110	18	103.5	80	75
	3	2	85.5	125	15	100.5	-	85
	3	4	85.5	100	16	101.5	81.5	65
	4	1	111	110	15	126	100	75
	4	2	111	125	15	126	-	85
	5	1	136.5	100	0	136.5	111	65
5	2	136.5	125	18	154.5	-	85	
11"	1	1	34.5	90	15	49.5	49.5	60
	1	4	32	90	16	48	48	60
	2	4	60	115	16	76	76	75
	2	1	60	100	15	75	62	65
	3	1	85.5	110	18	103.5	80	75
	3	2	85.5	110	18	103.5	-	75
	3	4	85.5	100	16	101.5	81.5	65
	4	1	111	120	18	129		80
	4	2	111	120	18	129		80
	5	1	136.5	125	0	136.5	111	85
5	2	136.5	125	18	154.5	-	85	

Dimensions in millimetres unless otherwise stated.

Dimensions given in chart are approximate.

## FOR USE WITH 'C' BELTS & 'SPC' BELTS (Plain Pulley)

Outer Dia.	No. of Grooves	Pulley Type	Face (F)	Hub Dia. (HD)	Hub Length Outside of Face (L2)	Total Width of Pulley + Hub (L)	Total Hub Length (L1)	Maximum Bore Capacity
12"	1	1	34.5	90	15	49.5	49.5	60
	1	4	32	90	16	48	48	60
	2	4	60	115	16	76	76	75
	2	1	60	110	15	49.5	62	75
	3	1	85.5	115	18	103.5	84	75
	3	4	85.5	100	16	101.5	81.5	65
	4	1	111	120	18	129	100	80
	5	1	136.5	135	0	136.5	111	90
13"	1	1	34.5	90	15	49.5	49.5	60
	2	4	60	115	0	60	60	75
	2	1	60	90	15	75	62	60
	3	1	85.5	110	18	103.5	87	75
	4	1	111	120	18	129	104	80
	5	1	136.5	150	0	136.5	111	100
14"	1	1	34.5	100	15	49.5	47	65
	2	4	60	115	0	60	60	75
	2	1	60	125	18	78	67	85
	3	1	85.5	120	18	103.5	78	80
	4	1	111	125	0	111	96	85
	5	1	136.5	150	0	136.5	111	100
15"	1	1	34.5	100	15	49.5	49.5	65
	2	4	60	115	0	60	60	75
	2	1	60	110	18	78	65	75
	3	1	85.5	125	18	103.5	88	85
	4	1	111	120	18	129	106	80
	5	1	136.5	150	0	136.5	111	100
16"	1	1	34.5	100	15	49.5	49.5	65
	2	4	60	115	0	60	60	75
	2	1	60	125	18	78	65	85
	3	1	85.5	120	18	103.5	88	80
	4	1	111	115	18	129	106	75
	5	1	136.5	150	0	136.5	111	100

Dimensions in millimetres unless otherwise stated.

Dimensions given in chart are approximate.

## FOR USE WITH 'C' BELTS & 'SPC' BELTS (Plain Pulley)

Outer Dia.	No. of Grooves	Pulley Type	Face (F)	Hub Dia. (HD)	Hub Length Outside of Face (L2)	Total Width of Pulley + Hub (L)	Total Hub Length (L1)	Maximum Bore Capacity
18"	1	1	34.5	125	15	49.5	49.5	85
	2	4	60	125	0	60	60	85
	3	1	85.5	125	0	85.5	85.5	85
	4	1	111	130	0	111	86	90
	5	1	136.5	150	0	136.5	111	100
20"	1	1	34.5	125	15	49.5	49.5	85
	2	4	60	125	0	60	60	85
	3	1	85.5	135	0	85.5	85.5	90
	4	1	111	140	0	111	90	95
	5	1	136.5	150	0	136.5	111	100
22"	1	1	34.5	125	15	49.5	49.5	85
	2	1	60	135	0	60	60	90
	2	4	60	125	0	60	60	85
	3	1	85.5	150	0	85.5	70	100
	3	4	85.5	135	0	85.5	85.5	90
	4	1	111	150	0	111	86	100
	5	1	136.5	150	0	136.5	111	100
24"	1	1	34.5	125	15	49.5	49.5	85
	2	1	60	135	0	60	60	90
	3	1	85.5	135	0	85.5	85.5	90
	4	1	111	140	0	111	101	95
	5	1	136.5	150	0	136.5	111	100

Dimensions in millimetres unless otherwise stated.

Dimensions given in chart are approximate.



*Couplings, Pulleys & Sprockets*

## Shakti Pulley Manufacturing Company



*Unit-1*

*Plot No. 28 / 3, Street No. 6, Anand Parbat Industrial Area,  
New Rohtak Road, New Delhi*

*Unit-2*

*Plot No. 50, Sector-16, HSIDC, Bahadurgarh, Haryana*

*Unit-3*

*Plot No. 2, Sector-30E, IMT Rohtak, Haryana*



*Mobile No.:*

*+91 999 929 9050 | +91 98100 59086 | +91 80106 58403-06*



*mail@shaktipulley.com*  *www.shaktipulley.com*

