



Couplings, Pulleys & Sprockets



www.shaktipulley.com

**Tyre Couplings
PH-Series**

Product Range



Taper Lock Pulley



V. Belt Pulley



Timing Pulley



Poly V Pulley



Keyless Bush



Pin Bush Coupling



Tyre Coupling



Star Coupling



HRC Jaw Coupling



Gear Coupling



Sprockets

www.shaktipulley.com

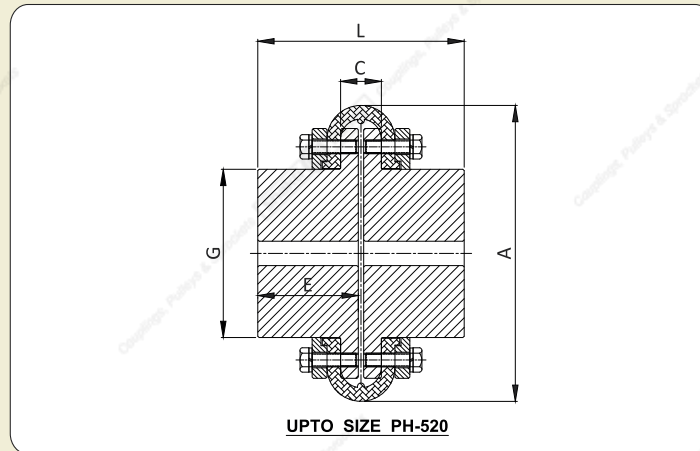


Couplings, Pulleys & Sprockets

OUR FACILITY



PH TYRE TYPE FLEXIBLE CUSHION COUPLING



Sl. No.	Size	Max. Bore mm	Max. Speed RPM	Cool Rating		Max Torque Kgm	Appx. Dimensions mm					Approx Weight Kg	
				Torque Kgm	H.P./100 RPM		A	L	G	E	C		
01	PH-106	38	5500	4.35	0.60	13.0	106	76	54	35	18	1.90	
02	PH-116	42	5500	5.43	0.75	16.3	116	88	60	40	22	2.75	
03	PH-126	48	5500	9.00	1.25	27.0	126	88	68	40	22	3.50	
04	PH-140	50	5500	12.7	1.75	38.1	140	100	72	46	26	4.75	
05	PH-160	50	5000	16.40	2.25	49.2	160	108	82	50	28	6.00	
06	PH-178	60	4500	22.0	3.00	66.0	178	128	100	60	32	11.0	
07	PH-190	65	4000	29.0	4.00	87.0	190	146	105	70	30	14.0	
08	PH-218	75	3500	43.5	6.00	130	218	160	124	75	36	21.0	
09	PH-250	80	3000	62.0	8.50	186	250	192	145	90	40	32.0	
10	PH-272S	75	2750	75.0	10.5	225	272	173	125	80	40	28.0	
11	PH-272H	100	2750	75.0	10.5	225	272	205	163	96	40	38.0	
12	PH-292S	80	2600	109	15.0	327	292	175	130	80	47	30.0	
13	PH-292H	105	2600	109	15.0	327	292	228	168	105	47	44.0	
14	PH-316S	90	2500	134	18.5	400	316	190	150	90	47	40.0	
15	PH-316H	115	2500	134	18.5	400	316	245	190	115	47	60.0	
16	PH-342S	90	2250	190	26.0	570	342	195	150	90	53	45.0	
17	PH-342H	120	2250	190	26.0	570	342	255	198	120	53	71.0	
18	PH-390S	100	2000	290	40.0	870	390	218	165	100	57	70.0	
19	PH-390H	140	2000	290	40.0	870	390	298	230	140	57	115	
20	PH-450S	130	1600	508	70.0	1524	450	270	216	125	60	110	
21	PH-450H	175	1600	508	70.0	1524	450	360	286	170	60	190	
22	PH-520S	150	1400	726	100	2178	520	294	250	135	62	170	
23	PH-520H	220	1400	726	100	2178	520	384	354	180	60	300	
24	PH-600	-	1300	1310	180	3830	600	To Suit Requirement					Depends on Hub Sizes
25	PH-630	-	1100	1960	270	5880	630						
26	PH-725	-	950	2900	400	8700	725						
27	PH-812	-	850	4356	600	13068	812						

Note : On account of the high flexibility of SHAKTI-PH couplings, very accurate alignment of shafts is not necessary. It Should however, be appreciated that poor alignment will tell upon the life of the flexible member, Particularly in high speed applications.

Maintenance : No Post installation maintenance is required with SHAKTI-PH couplings except occasional tightening of bolts, if found necessary.



Couplings, Pulleys & Sprockets

Shakti Pulley Manufacturing Company



Unit-1

Plot No. 28 / 3, Street No. 6, Anand Parbat Industrial Area,
New Rohtak Road, New Delhi

Unit-2

Plot No. 50, Sector-16, HSIDC, Bahadurgarh, Haryana

Unit-3

Plot No. 2, Sector-30E, IMT Rohtak, Haryana



Mobile No.:

+91 999 929 9050 | +91 98100 59086 | +91 80106 58403-06



mail@shaktipulley.com  **www.shaktipulley.com**

