



Couplings, Pulleys & Sprockets



www.shaktipulley.com

Gear Coupling

Product Range



Taper Lock Pulley



V. Belt Pulley



Timing Pulley



Poly V Pulley



Keyless Bush



Pin Bush Coupling



Tyre Coupling



Star Coupling



HRC Jaw Coupling



Gear Coupling



Sprockets

www.shaktipulley.com



Couplings, Pulleys & Sprockets

OUR FACILITY



Shakti Curved Tooth Flexible Gear Couplings

are the result of many years of experience in the field of Mechanical Power Transmission.

These Gear Couplings are distinguished by their mechanical flexibility and compensation of Angular, Parallel and Axial misalignments of the connected shafts. They are made for extensive use in Metal Rolling Mills, Paper Machinery, Cranes, Dredgers, Rubber and Plastic Industries, Cement Plants, Conveyors and Elevators, Compressors, Fans and Blowers, Screens and other general industries.

Flexible Gear Couplings basically consist of two hubs, with crowned external teeth and two outer sleeves with internal spur teeth.

Gear hubs and the outer sleeves are manufactured from carbon steel. They are machined to fine tolerances for proper meshing of the gears as well as for inter-changeability.

POWER RATINGS:

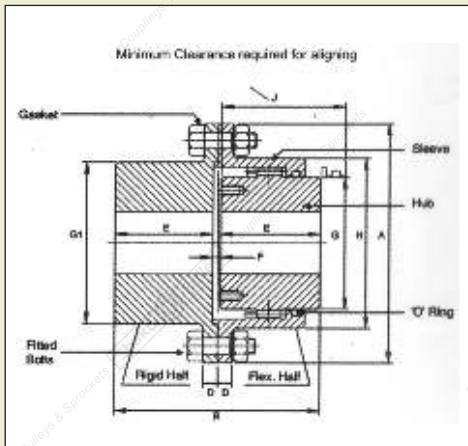
The normal power ratings are given in the Table. For selection of the correct size of couplings, proper service factor depending on the type of machines and the peak load should be considered.

SERVICE FACTOR:

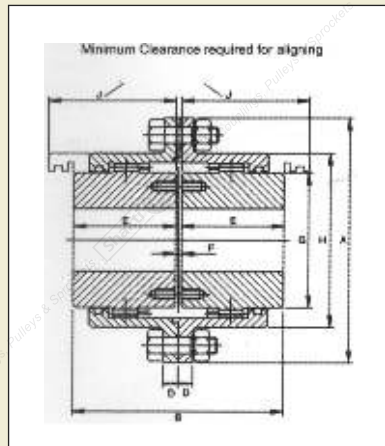
Generally, for medium duty use a service factor of 1.5. For heavy duty use a factor of 2 and for extra heavy duty a factor of 3 should be used. For special applications please contact Shakti with full details.

FULL GEAR COUPLINGS

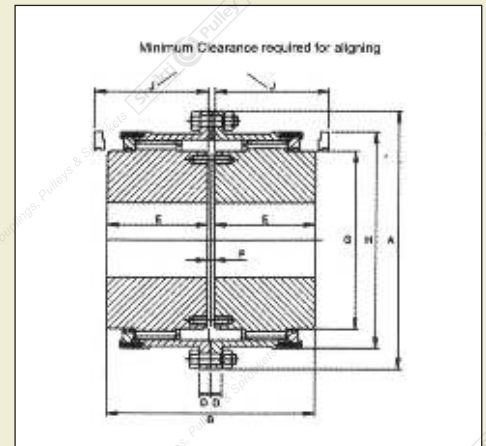
Sizes	B	A	F	D	C	G	M	Clamping Bolt Size	No. of Bolts
SGC 1	115	170	110	65	55	2.5	65	M12 X 50	6
SGC 2	145	185	125	85	70	2.5	80	M12 X 50	6
SGC 3	175	220	150	105	85	2.5	105	M16 X 60	6
SGC 4	215	250	175	130	105	2.5	125	M16 X 60	8
SGC 5	230	290	200	155	110	5	140	M20 X 75	8
SGC 6	260	320	230	175	125	5	155	M20 X 75	8
SGC 7	290	350	260	205	140	5	175	M20 X 75	10
SGC 8	320	380	290	230	155	5	190	M20 X 75	12
SGC 9	340	430	330	250	165	5	205	M24 X 85	10
SGC 10	370	490	390	310	180	5	220	M24 X 85	12
SGC 11	410	545	445	350	200	5	240	M24 X 90	12
SGC 12	490	590	490	400	240	5	280	M24 X 90	14
SGC 13	535	680	555	440	260	7.5	310	M30 X 110	14
SGC 14	575	730	610	500	280	7.5	330	M30 X 110	16
SGC 15	655	780	660	540	320	7.5	370	M30 X 110	18
SGC 16	720	900	755	625	350	10	425	M36 X 120	18
SGC 17	820	1000	855	720	400	10	460	M36 X 120	20
SGC 18	920	1100	950	810	450	10	510	M36 X 150	20
SGC 19	1000	1250	1050	910	485	15	560	M48 X 160	20



Half Flexible Couplings



Couplings Size 1 to 10



Couplings Size 11 to 19

Power, Torque Ratings, Weights and Mass Moments of Inertia

Sizes	KW at 100 Rev/Min	Nominal Torque (Nm)	Hub Bore (mm)		Maximum Speed Rev/Min	Approx. Weight (kg)	Approx. Moment of Inertia (Gd ²) (Kg-M ²)	Max. Mis - Alignment Capacity		
			Min.	Max.				Parallel (mm.)	Axial Float (mm.)	Angular per Gear Mesh
SGC 1	13	1240	20	50	6700	10	0.14	0.8	0.5	1.5°
SGC 2	29	2800	30	65	6100	15	0.21	0.95	0.5	1.5°
SGC 3	52	4950	40	75	5200	26	0.45	1.1	0.5	1.5°
SGC 4	100	9550	50	95	4500	40	0.98	1.3	0.5	1.5°
SGC 5	153	14600	60	115	3950	62	1.9	1.45	0.5	1.5°
SGC 6	250	23875	75	130	3500	85	3.05	1.55	1	1.5°
SGC 7	411	39250	90	145	3250	120	5.25	1.8	1	1.5°
SGC 8	528	50420	105	165	3000	180	8.52	1.9	1	1.5°
SGC 9	658	62830	125	185	2600	210	15	2.25	1	1.5°
SGC 10	963	91960	140	230	2300	290	28.67	2.6	1	1.5°
SGC 11	1300	124150	160	260	2100	550	52	3.3	2	1.5°
SGC 12	1700	162350	180	300	1900	710	88.60	3.5	2	1.5°
SGC 13	2880	275000	200	330	1550	980	155	6.65	3	1.5°
SGC 14	3980	380000	220	370	1400	1320	230	7.35	3	1.5°
SGC 15	4765	455000	250	410	1350	1700	352	8.15	3	1.5°
SGC 16	6800	650000	300	455	1150	2550	670	8.55	3	1.5°
SGC 17	9000	850000	375	520	1050	3620	1275	9.15	3	1.5°
SGC 18	11800	1120000	450	610	950	4860	2198	9.65	3	1.5°
SGC 19	15500	1470000	520	710	825	6380	3588	10.25	3	1.5°

Shakti Pulley reserves the right to alter non-critical dimension and specifications without prior intimation
 All dimension in 'mm'
 All Pulleys / Coupling are supplied without balancing. Balancing charges are extra if required.



Couplings, Pulleys & Sprockets

Shakti Pulley Manufacturing Company



Unit-1

Plot No. 28 / 3, Street No. 6, Anand Parbat Industrial Area,
New Rohtak Road, New Delhi

Unit-2

Plot No. 50, Sector-16, HSIDC, Bahadurgarh, Haryana

Unit-3

Plot No. 2, Sector-30E, IMT Rohtak, Haryana



Mobile No.:

+91 999 929 9050 | +91 98100 59086 | +91 80106 58403-06



mail@shaktipulley.com



www.shaktipulley.com

