

# Shakti Pulley

## 3/8" Pitch

**SIMPLEX TYPE**

**Pilot Bore**

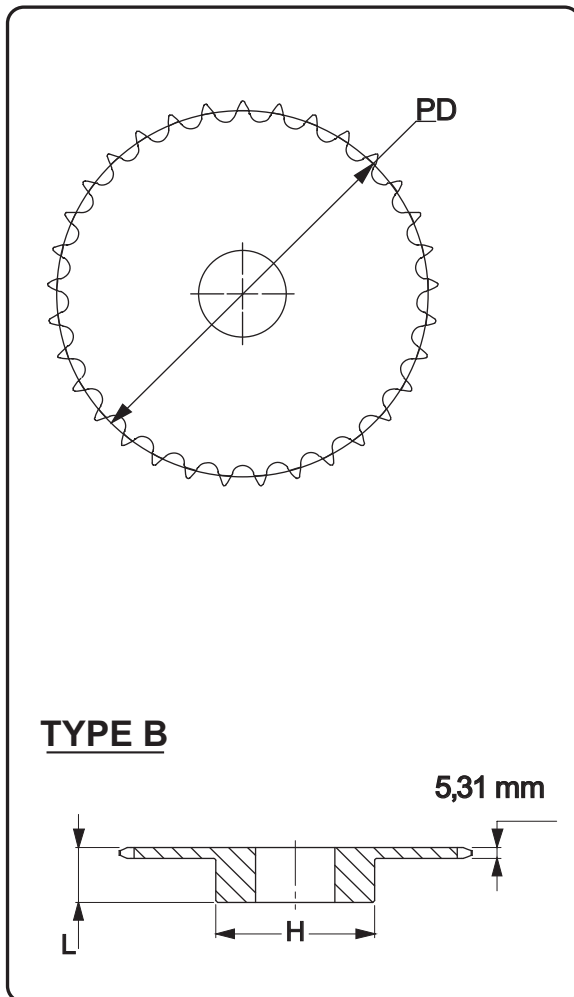
CHAIN DATA	
SIZE :	06B-1
PITCH :	9.525mm
INSIDE WIDTH :	5.90mm
ROLLER DIAMETER:	6.35mm

How to order :

Chain Pitch	Hub Type	No. of Teeth	Hardned
<b>06B-1</b>	<b>B</b>	<b>8</b>	<b>H</b>

Eg.SP 6B-1 B8

For hardened teeth sprocket, add 'H' after the sprocket profile Eg. SP 06B-1 B8H



**TYPE B**

No. Teeth	Pitch Diameter	Type	Bore		Hub		Weight	Designation
			Min	Max	H	L		
			mm	mm	mm	mm		
8	24,89	B	6	6	15+	20	0,03	SP 06B-1B8
9	27,85	B	8	8	18+	20	0,04	SP 06B-1B9
10	30,82	B	8	8	20	20	0,06	SP 06B-1B10
11	33,80	B	8	8	22	25	0,08	SP 06B-1B11
12	36,80	B	8	10	25	25	0,10	SP 06B-1B12
13	39,79	B	10	12	28	25	0,12	SP 06B-1B13
14	42,80	B	10	15	31	25	0,15	SP 06B-1B14
15	45,81	B	10	18	34	25	0,19	SP 06B-1B15
16	48,82	B	10	20	37	28	0,24	SP 06B-1B16
17	51,83	B	10	23	40	28	0,29	SP 06B-1B17
18	54,85	B	10	26	43	28	0,33	SP 06B-1B18
19	57,87	B	10	28	45	28	0,37	SP 06B-1B19
20	60,89	B	10	28	46	28	0,39	SP 06B-1B20
21	63,91	B	12	30	48	28	0,42	SP 06B-1B21
22	66,93	B	12	35	50	28	0,46	SP 06B-1B22
23	69,95	B	12	35	52	28	0,50	SP 06B-1B23
24	72,97	B	12	35	54	28	0,54	SP 06B-1B24
25	76,00	B	12	40	57	28	0,60	SP 06B-1B25
26	79,02	B	12	40	60	28	0,67	SP 06B-1B26
27	82,05	B	12	40	60	28	0,68	SP 06B-1B27
28	85,07	B	12	40	60	28	0,70	SP 06B-1B28
29	88,09	B	12	40	60	28	0,72	SP 06B-1B29
30	91,12	B	12	40	60	28	0,77	SP 06B-1B30
31	94,15	B	14	43	65	30	0,88	SP 06B-1B31
32	97,17	B	14	43	65	30	0,90	SP 06B-1B32
33	100,20	B	14	43	65	30	0,91	SP 06B-1B33
34	103,23	B	14	43	65	30	0,94	SP 06B-1B34
35	106,26	B	14	43	65	30	0,95	SP 06B-1B35
36	109,29	B	14	48	70	30	1,07	SP 06B-1B36
37	112,32	B	14	48	70	30	1,09	SP 06B-1B37
38	115,35	B	14	48	70	30	1,10	SP 06B-1B38
39	118,37	B	14	48	70	30	1,12	SP 06B-1B39
40	121,40	B	14	48	70	30	1,16	SP 06B-1B40
41	124,43	B	14	48	78	32	1,28	SP 06B-1B41
42	127,46	B	14	48	78	32	1,36	SP 06B-1B42
43	130,49	B	14	48	78	32	1,44	SP 06B-1B43
44	133,52	B	14	48	78	32	1,52	SP 06B-1B44
45	136,55	B	14	40	78	32	1,40	SP 06B-1B45
46	139,58	B	14	48	78	32	1,68	SP 06B-1B46
47	142,61	B	14	48	78	32	1,76	SP 06B-1B47
48	145,64	B	14	48	78	32	1,84	SP 06B-1B48
50	151,69	B	14	48	78	32	2,06	SP 06B-1B50
54	163,82	B	14	48	78	32	2,32	SP 06B-1B54
57	172,91	B	14	40	78	32	1,70	SP 06B-1B57
60	182,00	B	14	48	78	32	2,80	SP 06B-1B60
64	194,12	B	14	48	78	32	3,12	SP 06B-1B64
65	197,15	B	14	48	78	32	3,31	SP 06B-1B65
70	212,30	B	14	48	78	32	3,60	SP 06B-1B70
72	218,37	B	14	48	78	32	3,76	SP 06B-1B72
76	230,49	B	14	48	78	32	2,79	SP 06B-1B76
80	242,61	B	14	52	78	32	4,40	SP 06B-1B80
84	254,74	B	14	52	80	32	4,72	SP 06B-1B84
85	257,77	B	14	52	80	32	4,93	SP 06B-1B85
90	272,93	B	14	55	80	32	5,20	SP 06B-1B90
92	278,99	B	14	55	80	32	5,45	SP 06B-1B92
95	288,08	B	14	55	80	32	3,95	SP 06B-1B95
96	291,11	B	14	55	80	32	5,68	SP 06B-1B96
114	345,68	B	14	55	80	32	7,12	SP 06B-1B114

For plate type sprocket add "A" in hub type.

Eg.SP 06B-1 A8

# Shakti Pulley

## 1/2" Pitch

**SIMPLEX TYPE**

**Pilot Bore**

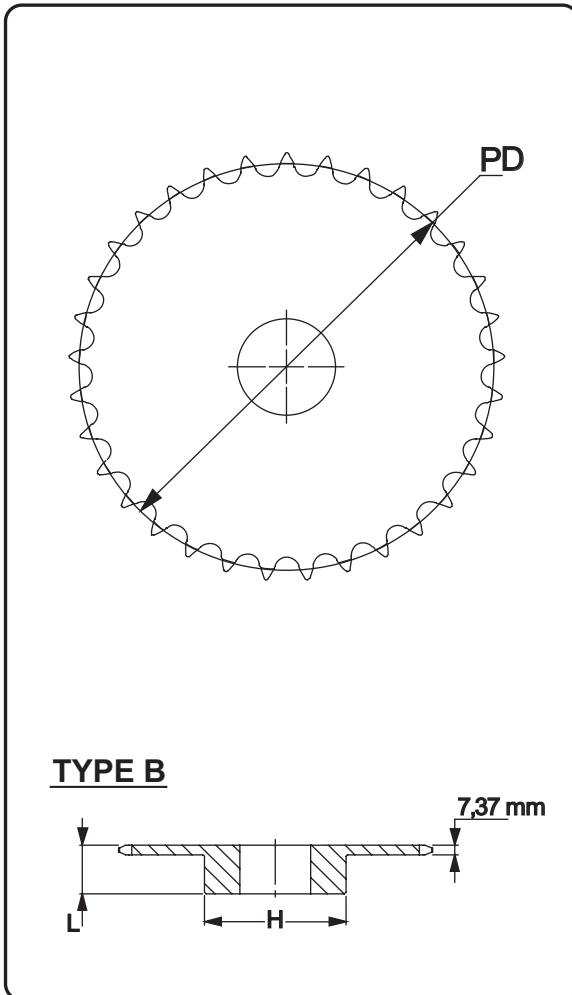
CHAIN DATA	
SIZE :	08B-1
PITCH :	12.70mm
INSIDE WIDTH :	7.85mm
ROLLER DIAMETER:	8.51mm

How to order :

Chain Pitch	Hub Type	No. of Teeth	Hardned
<b>08B-1</b>	<b>B</b>	<b>8</b>	<b>H</b>

Eg.SP 08B-1 B8

For hardened teeth sprocket, add 'H' after the sprocket profile Eg.SP 08B-1 B8H



No. Teeth	Pitch Diameter	Type	Bore		Hub		Weight	Designation
			Min	Max	H	L		
			mm	mm	mm	mm		
8	33,18	B	10	10	20	25	0,06	SP 08B-1B8
9	37,13	B	10	10	24	25	0,09	SP 08B-1B9
10	41,10	B	10	11	26	25	0,12	SP 08B-1B10
11	45,07	B	10	13	29	25	0,15	SP 08B-1B11
12	49,07	B	10	17	33	28	0,21	SP 08B-1B12
13	53,06	B	10	20	37	28	0,27	SP 08B-1B13
14	57,07	B	10	24	41	28	0,33	SP 08B-1B14
15	61,09	B	10	28	45	28	0,39	SP 08B-1B15
16	65,10	B	12	30	50	28	0,46	SP 08B-1B16
17	69,11	B	12	30	52	28	0,51	SP 08B-1B17
18	73,14	B	12	35	56	28	0,59	SP 08B-1B18
19	77,16	B	12	40	60	28	0,67	SP 08B-1B19
20	81,19	B	12	40	64	28	0,77	SP 08B-1B20
21	85,22	B	12	40	68	28	0,85	SP 08B-1B21
22	89,24	B	12	40	70	28	0,92	SP 08B-1B22
23	93,27	B	14	40	70	28	0,95	SP 08B-1B23
24	97,29	B	14	40	70	28	0,98	SP 08B-1B24
25	101,33	B	14	40	70	28	1,01	SP 08B-1B25
26	105,36	B	16	46	70	30	1,09	SP 08B-1B26
27	109,40	B	16	46	70	30	1,13	SP 08B-1B27
28	113,42	B	16	46	70	30	1,17	SP 08B-1B28
29	117,46	B	16	46	80	30	1,41	SP 08B-1B29
30	121,50	B	16	46	80	30	1,46	SP 08B-1B30
31	125,54	B	16	46	90	30	1,75	SP 08B-1B31
32	129,56	B	16	46	90	30	1,79	SP 08B-1B32
33	133,60	B	16	46	90	30	1,83	SP 08B-1B33
34	137,64	B	16	46	90	30	1,87	SP 08B-1B34
35	141,68	B	16	46	90	30	1,94	SP 08B-1B35
36	145,72	B	16	50	90	35	2,21	SP 08B-1B36
37	149,76	B	16	50	90	35	2,24	SP 08B-1B37
38	153,80	B	16	50	90	35	2,33	SP 08B-1B38
39	157,83	B	16	50	90	35	2,30	SP 08B-1B39
40	161,87	B	16	50	90	35	2,44	SP 08B-1B40
41	165,91	B	16	50	90	40	2,41	SP 08B-1B41
42	169,95	B	16	60	90	40	2,38	SP 08B-1B42
43	173,99	B	16	50	90	40	2,35	SP 08B-1B43
44	178,03	B	16	50	90	40	2,32	SP 08B-1B44
45	182,07	B	16	50	90	40	2,30	SP 08B-1B45
46	186,10	B	16	50	90	40	2,45	SP 08B-1B46
47	190,14	B	16	50	90	40	2,60	SP 08B-1B47
48	194,18	B	16	64	90	40	2,85	SP 08B-1B48
50	208,30	B	16	64	90	40	2,92	SP 08B-1B50
54	218,43	B	16	64	90	40	3,00	SP 08B-1B54
57	230,54	B	16	50	90	40	3,13	SP 08B-1B57
60	242,66	B	16	64	90	40	3,30	SP 08B-1B60
64	258,82	B	16	64	90	40	3,60	SP 08B-1B64
70	283,07	B	16	64	90	40	3,80	SP 08B-1B70
72	291,16	B	16	64	90	40	4,00	SP 08B-1B72
76	307,33	B	16	50	90	40	4,12	SP 08B-1B76
80	323,48	B	16	64	90	40	5,00	SP 08B-1B80
84	339,65	B	16	64	90	40	6,12	SP 08B-1B84
85	343,69	B	16	64	90	40	6,32	SP 08B-1B85
92	371,99	B	16	64	90	40	6,92	SP 08B-1B92
95	384,11	B	16	55	90	40	7,38	SP 08B-1B95
96	388,15	B	16	64	90	40	8,00	SP 08B-1B96
114	460,90	B	16	64	90	40	9,50	SP 08B-1B114

For plate type sprocket add "A" in hub type.

Eg.SP 08B-1 A8

# Shakti Pulley

## 5/8" Pitch

**SIMPLEX TYPE**

**Pilot Bore**

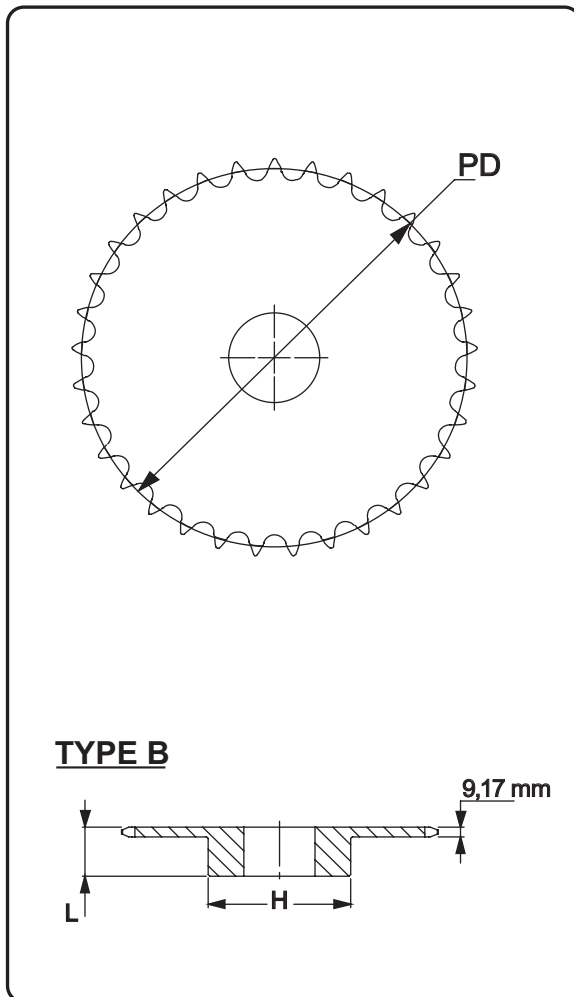
CHAIN DATA	
SIZE :	10B-1
PITCH :	15.875mm
INSIDE WIDTH :	9.85mm
ROLLER DIAMETER:	10.16mm

How to order :

Chain Pitch	Hub Type	No. of Teeth	Hardned
<b>10B-1</b>	<b>B</b>	<b>8</b>	<b>H</b>

Eg.SP 10B-1 B8

For hardened teeth sprocket, add 'H' after the sprocket profile Eg.SP 10B-18H



No. Teeth	Pitch Diameter	Type	Bore		Hub		Weight	Designation
			Min	Max	H	L		
			mm	mm	mm	mm		
8	41,48	B	10	11	25	25	0,12	SP 10B-1B8
9	46,42	B	10	15	30	25	0,17	SP 10B-1B9
10	51,37	B	10	18	35	25	0,23	SP 10B-1B10
11	56,34	B	12	21	37	30	0,30	SP 10B-1B11
12	61,34	B	12	25	42	30	0,38	SP 10B-1B12
13	66,32	B	12	28	47	30	0,47	SP 10B-1B13
14	71,34	B	12	32	52	30	0,57	SP 10B-1B14
15	76,36	B	12	35	57	30	0,69	SP 10B-1B15
16	81,37	B	12	40	60	30	0,77	SP 10B-1B16
17	86,39	B	12	40	60	30	0,82	SP 10B-1B17
18	91,42	B	14	50	70	30	1,02	SP 10B-1B18
19	96,45	B	14	50	70	30	1,06	SP 10B-1B19
20	101,49	B	14	50	75	30	1,22	SP 10B-1B20
21	106,52	B	16	50	75	30	1,26	SP 10B-1B21
22	111,55	B	16	50	80	30	1,42	SP 10B-1B22
23	116,58	B	16	50	80	30	1,47	SP 10B-1B23
24	121,62	B	16	50	80	30	1,55	SP 10B-1B24
25	126,66	B	16	50	80	30	1,62	SP 10B-1B25
26	131,70	B	20	55	85	35	2,00	SP 10B-1B26
27	136,75	B	20	55	85	35	2,05	SP 10B-1B27
28	141,78	B	20	55	90	35	2,27	SP 10B-1B28
29	146,83	B	20	55	90	35	2,35	SP 10B-1B29
30	151,87	B	20	58	90	35	2,42	SP 10B-1B30
31	156,92	B	20	58	95	35	2,66	SP 10B-1B31
32	161,95	B	20	58	95	35	2,74	SP 10B-1B32
33	167,00	B	20	58	95	35	2,80	SP 10B-1B33
34	172,05	B	20	58	95	35	2,90	SP 10B-1B34
35	177,10	B	20	58	95	35	3,03	SP 10B-1B35
36	182,15	B	20	63	100	35	3,27	SP 10B-1B36
37	187,20	B	20	63	100	35	3,39	SP 10B-1B37
38	192,24	B	20	63	100	35	3,49	SP 10B-1B38
39	197,29	B	20	63	100	35	3,58	SP 10B-1B39
40	202,34	B	20	63	100	35	3,69	SP 10B-1B40
41	207,39	B	20	57	100	40	3,78	SP 10B-1B41
42	212,44	B	20	57	100	40	3,87	SP 10B-1B42
43	217,49	B	20	57	100	40	3,96	SP 10B-1B43
44	222,53	B	20	57	100	40	4,05	SP 10B-1B44
45	227,58	B	20	55	100	40	4,18	SP 10B-1B45
46	232,63	B	20	64	100	40	4,34	SP 10B-1B46
47	237,68	B	20	64	100	40	4,50	SP 10B-1B47
48	242,73	B	20	64	100	40	4,66	SP 10B-1B48
49	247,78	B	20	64	100	40	4,82	SP 10B-1B49
50	252,82	B	20	64	100	40	4,98	SP 10B-1B50
51	257,87	B	20	64	100	40	5,14	SP 10B-1B51
52	262,92	B	20	64	100	40	5,30	SP 10B-1B52
53	267,97	B	20	64	100	40	5,46	SP 10B-1B53
54	273,03	B	20	64	100	40	5,62	SP 10B-1B54
55	278,08	B	20	64	100	40	5,78	SP 10B-1B55
56	283,13	B	20	64	100	40	5,94	SP 10B-1B56
57	288,18	B	20	55	100	40	6,00	SP 10B-1B57
58	293,23	B	20	64	100	43	6,44	SP 10B-1B58
59	298,27	B	20	64	100	43	6,88	SP 10B-1B59
60	303,32	B	20	64	100	43	7,32	SP 10B-1B60
65	328,58	B	20	64	100	43	7,48	SP 10B-1B65
70	353,84	B	20	64	100	43	7,76	SP 10B-1B70
72	363,95	B	20	64	100	43	8,20	SP 10B-1B72
76	384,16	B	20	60	100	43	8,68	SP 10B-1B76
80	404,35	B	20	70	100	43	10,20	SP 10B-1B80
84	424,57	B	20	70	100	50	11,72	SP 10B-1B84
85	429,62	B	20	70	100	50	12,12	SP 10B-1B85
92	464,98	B	20	70	100	50	12,91	SP 10B-1B92
95	480,14	B	20	60	100	50	13,24	SP 10B-1B95
96	485,19	B	20	70	100	50	14,00	SP 10B-1B96
112	566,03	B	20	70	100	50	15,55	SP 10B-1B112
114	576,13	B	20	70	100	50	16,25	SP 10B-1B114
120	606,45	B	20	70	100	50	18,25	SP 10B-1B120

For plate type sprocket add "A" in hub type.  
Eg.SP 10B-1 A8

# Shakti Pulley

## 3/4" Pitch

**SIMPLEX TYPE**

**Pilot Bore**

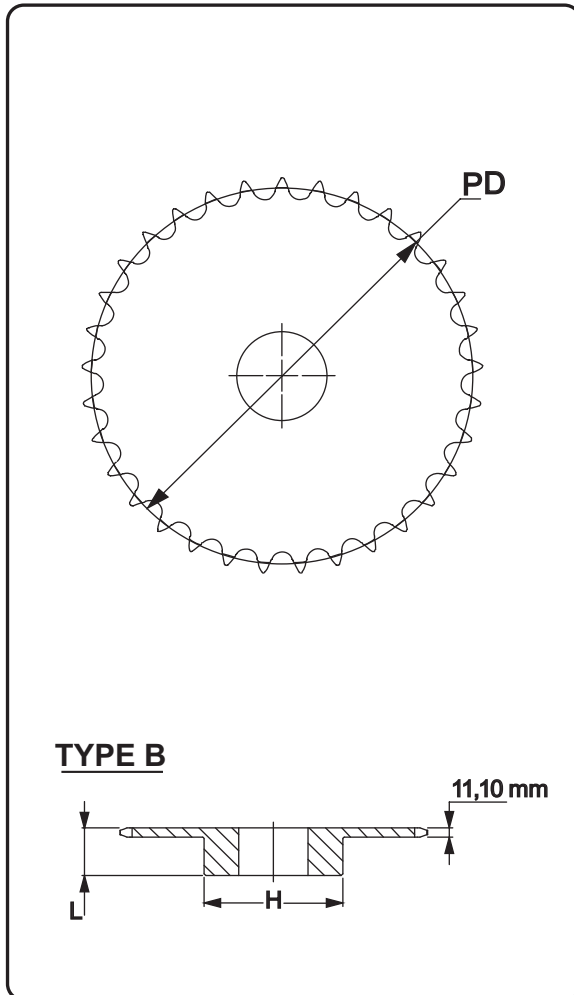
CHAIN DATA	
SIZE :	12B-1
PITCH :	19.05mm
INSIDE WIDTH :	11.70mm
ROLLER DIAMETER:	12.07mm

How to order :

Chain Pitch	Hub Type	No. of Teeth	Hardned
<b>12B-1</b>	<b>B</b>	<b>8</b>	<b>H</b>

Eg.SP 12B-1 B8

For hardened teeth sprocket, add 'H' after the sprocket profile Eg. SP 12B-1B8H



No. Teeth	Pitch Diameter	Type	Bore		Hub		Weight	Designation
			Min	Max	H	L		
			mm	mm	mm	mm		
8	49,78	B	12	16	31	30	0,22	SP 12B-1B8
9	55,70	B	12	20	37	30	0,31	SP 12B-1B9
10	61,64	B	12	23	42	30	0,39	SP 12B-1B10
11	67,61	B	14	28	46	35	0,54	SP 12B-1B11
12	73,61	B	14	32	52	35	0,68	SP 12B-1B12
13	79,59	B	14	36	58	35	0,84	SP 12B-1B13
14	85,61	B	14	40	64	35	1,01	SP 12B-1B14
15	91,63	B	14	44	70	35	1,19	SP 12B-1B15
16	97,65	B	16	48	75	35	1,36	SP 12B-1B16
17	103,67	B	16	55	80	35	1,56	SP 12B-1B17
18	109,71	B	16	55	80	35	1,73	SP 12B-1B18
19	115,75	B	16	55	80	35	1,73	SP 12B-1B19
20	121,78	B	16	55	80	35	1,83	SP 12B-1B20
21	127,82	B	20	55	90	40	2,37	SP 12B-1B21
22	133,86	B	20	55	90	40	2,48	SP 12B-1B22
23	139,90	B	20	55	90	40	2,58	SP 12B-1B23
24	145,94	B	20	55	90	40	2,70	SP 12B-1B24
25	152,00	B	20	55	90	40	2,81	SP 12B-1B25
26	158,04	B	20	58	95	40	3,11	SP 12B-1B26
27	164,09	B	20	58	95	40	3,24	SP 12B-1B27
28	170,13	B	20	58	95	40	3,37	SP 12B-1B28
29	176,19	B	20	60	95	40	3,49	SP 12B-1B29
30	182,25	B	20	60	95	40	3,66	SP 12B-1B30
31	188,31	B	20	64	95	40	3,96	SP 12B-1B31
32	194,36	B	20	64	95	40	4,14	SP 12B-1B32
33	200,40	B	20	64	95	40	4,28	SP 12B-1B33
34	206,46	B	20	64	95	40	4,45	SP 12B-1B34
35	212,52	B	20	64	95	40	4,62	SP 12B-1B35
36	218,58	B	20	70	100	40	4,79	SP 12B-1B36
37	224,64	B	20	70	100	40	4,97	SP 12B-1B37
38	230,69	B	20	70	100	40	5,15	SP 12B-1B38
39	236,75	B	20	70	100	40	5,34	SP 12B-1B39
40	242,81	B	20	70	100	40	5,54	SP 12B-1B40
41	248,87	B	20	70	110	56	5,78	SP 12B-1B41
42	254,93	B	20	70	110	56	6,02	SP 12B-1B42
43	260,98	B	20	70	110	56	6,26	SP 12B-1B43
44	267,04	B	20	70	110	56	6,50	SP 12B-1B44
45	273,10	B	20	60	110	56	6,30	SP 12B-1B45
46	279,16	B	20	70	110	56	6,98	SP 12B-1B46
47	285,21	B	20	70	110	56	7,22	SP 12B-1B47
48	291,27	B	20	70	110	56	7,46	SP 12B-1B48
49	297,33	B	20	70	110	56	7,70	SP 12B-1B49
50	303,39	B	20	70	110	56	7,94	SP 12B-1B50
54	327,64	B	20	70	110	56	8,90	SP 12B-1B54
57	345,81	B	20	60	110	56	7,75	SP 12B-1B57
60	363,99	B	20	70	110	56	10,34	SP 12B-1B60
65	394,29	B	20	70	110	56	11,64	SP 12B-1B65
68	412,49	B	20	70	110	56	12,20	SP 12B-1B68
70	424,60	B	20	70	110	56	12,74	SP 12B-1B70
72	436,74	B	20	80	110	56	13,22	SP 12B-1B72
76	460,99	B	20	60	110	56	12,50	SP 12B-1B76
80	485,22	B	20	80	110	56	15,14	SP 12B-1B80
84	509,48	B	20	80	110	56	16,10	SP 12B-1B84
90	545,85	B	20	80	110	56	17,23	SP 12B-1B90
92	557,98	B	20	80	110	56	18,19	SP 12B-1B92
95	576,17	B	20	92	110	56	18,74	SP 12B-1B95
96	582,23	B	20	92	110	56	18,98	SP 12B-1B96
114	691,36	B	20	92	110	56	23,30	SP 12B-1B114

For plate type sprocket add "A" in hub type.

Eg.SP 12B-1 A8

# Shakti Pulley

## 1" Pitch

**SIMPLEX TYPE**  
**Pilot Bore**

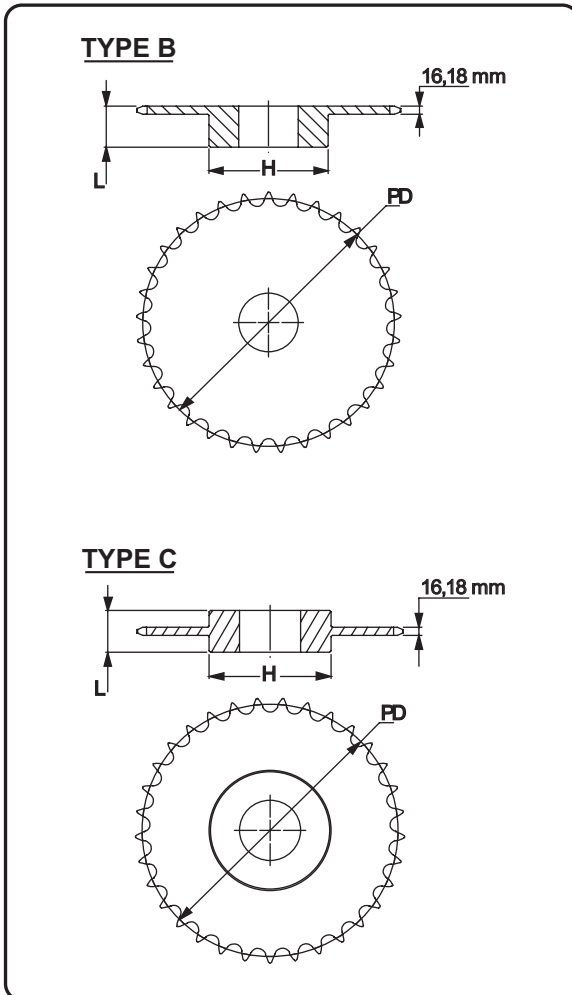
CHAIN DATA	
SIZE :	16B-1
PITCH :	25.40mm
INSIDE WIDTH :	17.50mm
ROLLER DIAMETER:	15.88mm

How to order :

Chain Pitch	Hub Type	No. of Teeth	Hardned
<b>16B-1</b>	<b>B</b>	<b>8</b>	<b>H</b>

Eg.SP 16B-1 B8

For hardened teeth sprocket, add 'H' after the sprocket profile Eg.SP 16B-1B8H



No. Teeth	Pitch Diameter	Type	Bore		Hub		Weight kg	Designation
			Min	Max	H	L		
			mm	mm	mm	mm		
8	66,37	B	16	22	42	35	0,50	SP 16B-1B8
9	74,27	B	16	28	50	35	0,68	SP 16B-1B9
10	82,19	B	16	34	55	35	0,87	SP 16B-1B10
11	90,14	B	16	38	61	40	1,18	SP 16B-1B11
12	98,14	B	16	44	69	40	1,48	SP 16B-1B12
13	106,12	B	16	48	78	40	1,82	SP 16B-1B13
14	114,15	B	16	53	84	40	2,14	SP 16B-1B14
15	122,17	B	16	58	92	40	2,52	SP 16B-1B15
16	130,20	B	20	64	100	45	3,19	SP 16B-1B16
17	138,22	B	20	70	100	45	3,41	SP 16B-1B17
18	146,28	B	20	70	100	45	3,62	SP 16B-1B18
19	154,33	B	20	70	100	45	3,86	SP 16B-1B19
20	162,38	B	20	70	100	45	4,10	SP 16B-1B20
21	170,43	B	20	70	110	50	5,09	SP 16B-1B21
22	178,48	B	20	70	110	50	5,35	SP 16B-1B22
23	186,53	B	20	70	110	50	5,66	SP 16B-1B23
24	194,59	B	20	70	110	50	5,94	SP 16B-1B24
25	202,66	B	20	70	110	50	6,25	SP 16B-1B25
26	210,72	B	20	76	120	50	7,07	SP 16B-1B26
27	218,79	B	20	76	120	50	7,39	SP 16B-1B27
28	226,85	B	20	76	120	50	7,72	SP 16B-1B28
29	234,92	B	20	76	120	50	8,11	SP 16B-1B29
30	243,00	B	20	76	120	50	8,47	SP 16B-1B30
31	251,08	B	25	76	120	50	8,78	SP 16B-1B31
32	259,13	B	25	76	120	50	9,19	SP 16B-1B32
33	267,21	B	25	76	120	50	9,63	SP 16B-1B33
34	275,28	B	25	76	120	50	10,02	SP 16B-1B34
35	283,36	B	25	76	120	50	10,50	SP 16B-1B35
36	291,44	B	25	76	120	50	10,90	SP 16B-1B36
37	299,51	B	25	76	120	50	11,30	SP 16B-1B37
38	307,59	B	25	76	120	50	11,86	SP 16B-1B38
39	315,67	B	25	76	120	50	12,32	SP 16B-1B39
40	323,75	B	25	76	125	50	12,86	SP 16B-1B40
41	331,82	B	25	80	125	68	13,40	SP 16B-1B41
42	339,90	B	25	80	125	68	13,94	SP 16B-1B42
43	347,98	B	25	80	125	68	14,48	SP 16B-1B43
44	356,06	B	25	80	125	68	15,02	SP 16B-1B44
45	364,13	B	25	65	125	68	13,00	SP 16B-1B45
46	372,21	B	25	80	125	68	16,10	SP 16B-1B46
47	380,29	B	25	80	125	68	16,64	SP 16B-1B47
48	388,36	B	25	80	125	68	17,18	SP 16B-1B48
50	404,52	B	25	80	125	68	18,26	SP 16B-1B50
54	436,85	B	25	85	125	68	20,42	SP 16B-1B54
57	461,07	B	25	65	125	68	15,50	SP 16B-1B57
60	485,32	B	25	85	133	68	23,66	SP 16B-1B60
65	525,73	B	25	85	140	68	26,36	SP 16B-1B65
70	566,14	C	25	108	140	68	29,06	SP 16B-1C70
72	582,32	C	25	108	140	68	30,14	SP 16B-1C72
76	614,65	C	25	75	140	68	28,50	SP 16B-1C76
80	646,96	C	25	108	140	68	34,46	SP 16B-1C80
84	679,30	C	25	108	140	78	36,62	SP 16B-1C84
90	727,81	C	25	108	140	78	39,86	SP 16B-1C90
95	768,22	C	25	85	140	78	42,56	SP 16B-1C95
96	766,31	C	25	108	140	78	43,10	SP 16B-1C96
114	921,81	C	25	108	140	78	52,82	SP 16B-1C114

For plate type sprocket add "A" in hub type.  
Eg.SP 16B-1 A8

# Shakti Pulley

## 1 1/4" Pitch

**SIMPLEX TYPE**

**Pilot Bore**

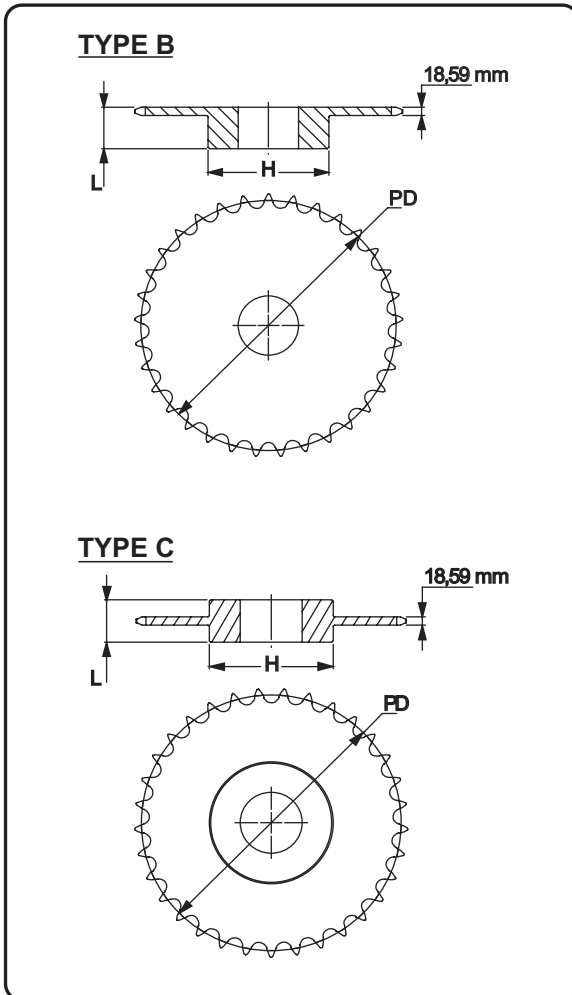
CHAIN DATA	
SIZE :	20B-1
PITCH :	31.75mm
INSIDE WIDTH :	19.58mm
ROLLER DIAMETER:	19.05mm

How to order :

Chain Pitch	Hub Type	No. of Teeth	Hardned
<b>20B-1</b>	<b>B</b>	<b>8</b>	<b>H</b>

Eg. SP 20B-1 B8

For hardened teeth sprocket, add 'H' after the sprocket profile Eg.SP 20B-1B8H



No. Teeth	Pitch Diameter	Type	Bore		Hub		Weight	Designation
			Min	Max	H	L		
	mm		mm	mm	mm	mm	kg	
8	82.97	B	20	57	53	40	1.04	SP 20B-1B8
9	92.83	B	20	57	63	40	1.45	SP 20B-1B9
10	102.75	B	20	60	70	40	1.86	SP 20B-1B10
11	112.70	B	20	70	77	45	2.40	SP 20B-1B11
12	122.67	B	20	76	88	45	2.95	SP 20B-1B12
13	132.67	B	20	76	98	45	3.00	SP 20B-1B13
14	142.68	B	20	76	108	45	3.40	SP 20B-1B14
15	152.71	B	20	76	118	50	4.31	SP 20B-1B15
16	162.75	B	20	76	120	50	4.63	SP 20B-1B16
17	172.79	B	25	76	120	50	4.99	SP 20B-1B17
18	182.84	B	25	76	120	50	5.44	SP 20B-1B18
19	192.90	B	25	76	120	50	5.90	SP 20B-1B19
20	202.96	B	25	76	120	50	6.35	SP 20B-1B20
21	213.03	B	25	76	140	55	7.03	SP 20B-1B21
22	223.10	B	25	76	140	55	7.71	SP 20B-1B22
23	233.17	B	25	84	140	55	8.16	SP 20B-1B23
24	243.25	B	25	84	140	55	8.62	SP 20B-1B24
25	253.32	B	25	84	140	55	9.07	SP 20B-1B25
26	263.41	B	25	84	150	55	9.53	SP 20B-1B26
27	273.49	B	25	84	150	55	10.43	SP 20B-1B27
28	283.57	B	25	84	150	55	11.34	SP 20B-1B28
29	293.66	B	25	84	150	55	11.76	SP 20B-1B29
30	303.75	B	25	84	150	55	12.02	SP 20B-1B30
31	313.83	B	25	84	150	55	12.77	SP 20B-1B31
32	323.92	B	25	84	150	55	13.52	SP 20B-1B32
33	334.01	B	25	84	150	55	14.59	SP 20B-1B33
34	344.10	B	25	84	150	55	15.66	SP 20B-1B34
35	354.20	B	25	84	150	55	16.74	SP 20B-1B35
36	364.29	B	25	84	150	55	17.51	SP 20B-1B36
37	374.38	B	25	84	150	55	18.17	SP 20B-1B37
38	384.48	B	25	84	150	55	18.82	SP 20B-1B38
39	394.57	B	25	84	150	55	19.78	SP 20B-1B39
40	404.67	B	25	84	150	55	21.27	SP 20B-1B40
41	414.77	B	25	84	150	70	22.07	SP 20B-1B41
42	424.88	B	25	84	150	70	22.86	SP 20B-1B42
43	434.96	B	25	84	150	70	23.40	SP 20B-1B43
44	445.06	B	25	84	150	70	23.95	SP 20B-1B44
45	455.15	B	25	84	150	70	24.49	SP 20B-1B45
46	465.25	B	25	84	150	70	26.31	SP 20B-1B46
47	475.35	B	25	84	150	70	28.12	SP 20B-1B47
48	485.45	B	25	102	150	70	29.94	SP 20B-1B48
49	495.55	B	25	102	150	70	31.76	SP 20B-1B49
50	505.65	B	25	102	150	70	33.57	SP 20B-1B50
51	515.75	B	25	102	150	80	35.39	SP 20B-1B51
52	525.85	B	25	102	150	80	37.21	SP 20B-1B52
53	535.95	B	25	102	150	80	39.02	SP 20B-1B53
54	546.05	C	25	102	150	80	32.90	SP 20B-1C54
55	556.15	C	25	102	150	80	34.77	SP 20B-1C55
56	566.25	C	25	102	150	80	36.63	SP 20B-1C56
57	576.35	C	25	102	150	80	38.50	SP 20B-1C57
58	586.45	C	25	102	150	80	40.37	SP 20B-1C58
59	596.56	C	25	102	150	80	42.24	SP 20B-1C59
60	606.66	C	25	102	150	80	44.10	SP 20B-1C60
70	707.68	C	25	133	150	80	65.36	SP 20B-1C70
72	727.89	C	25	133	150	80	67.23	SP 20B-1C72
76	768.30	C	25	133	150	80	70.98	SP 20B-1C76
80	808.71	C	25	133	150	80	74.70	SP 20B-1C80
84	849.13	C	25	133	150	90	78.43	SP 20B-1C84
90	909.76	C	25	133	150	90	84.03	SP 20B-1C90
95	960.28	C	25	133	150	90	117.18	SP 20B-1C95
96	970.38	C	25	133	150	90	117.56	SP 20B-1C96
114	1152.27	C	25	133	150	90	124.40	SP 20B-1C114

For plate type sprocket add "A" in hub type.

Eg.SP 20B-1 A8



# Shakti Pulley

## 1 1/2" Pitch

**SIMPLEX TYPE**

**Pilot Bore**

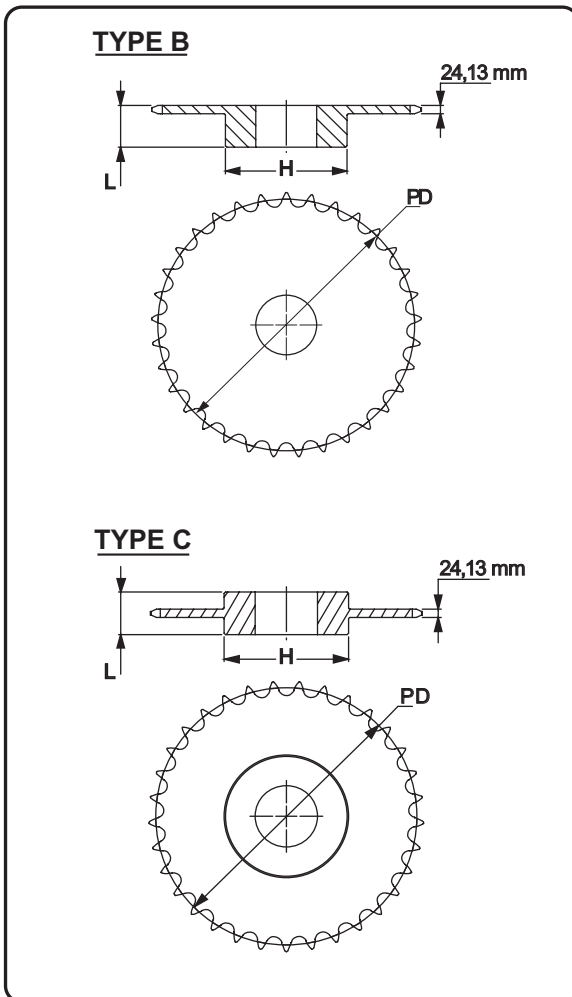
CHAIN DATA	
SIZE :	24B-1
PITCH :	38.10mm
INSIDE WIDTH :	25.40mm
ROLLER DIAMETER:	25.40mm

How to order :

Chain Pitch	Hub Type	No. of Teeth	Hardned
<b>24B-1</b>	<b>B</b>	<b>9</b>	<b>H</b>

Eg.SP 24B-1 B9

For hardened teeth sprocket, add 'H' after the sprocket profile Eg.SP 24B-1B9H



No. Teeth	Pitch Diameter	Type	Bore		Hub		Weight	Designation
			Min	Max	H	L		
			mm	mm	mm	mm		
9	111,40	B	20	45	70	45	2,02	SP 24B-1B9
10	123,29	B	20	52	80	45	2,61	SP 24B-1B10
11	135,23	B	25	60	90	50	3,77	SP 24B-1B11
12	147,21	B	25	67	102	50	4,77	SP 24B-1B12
13	159,20	B	25	76	114	50	5,91	SP 24B-1B13
14	171,22	B	25	86	128	50	6,68	SP 24B-1B14
15	183,25	B	25	92	132	50	7,49	SP 24B-1B15
16	195,29	B	25	92	136	55	9,08	SP 24B-1B16
17	207,35	B	25	92	136	55	9,76	SP 24B-1B17
18	219,41	B	25	92	136	55	10,49	SP 24B-1B18
19	231,48	B	25	92	136	55	11,21	SP 24B-1B19
20	243,55	B	25	92	136	55	12,26	SP 24B-1B20
21	255,63	B	25	92	150	60	13,38	SP 24B-1B21
22	267,72	B	25	92	150	60	13,67	SP 24B-1B22
23	279,80	B	25	92	150	60	14,74	SP 24B-1B23
24	291,90	B	25	92	150	60	15,48	SP 24B-1B24
25	303,99	B	25	92	150	60	16,38	SP 24B-1B25
26	316,09	B	30	102	150	40	19,43	SP 24B-1B26
27	328,19	B	30	102	150	40	20,39	SP 24B-1B27
28	340,29	B	30	102	150	40	21,34	SP 24B-1B28
29	352,39	B	30	102	150	40	22,79	SP 24B-1B29
30	364,49	B	30	102	150	40	24,25	SP 24B-1B30
31	376,60	B	30	102	150	40	26,19	SP 24B-1B31
32	388,71	B	30	102	150	40	28,12	SP 24B-1B32
33	400,82	B	30	102	150	40	30,05	SP 24B-1B33
34	412,93	B	30	102	150	40	31,99	SP 24B-1B34
35	425,04	B	30	102	150	40	33,93	SP 24B-1B35
36	437,15	B	30	102	150	40	35,86	SP 24B-1B36
38	461,37	B	30	102	150	40	39,73	SP 24B-1B38
40	485,60	B	30	102	150	40	42,52	SP 24B-1B40
42	509,83	C	30	102	160	90	45,31	SP 24B-1C42
45	546,19	C	30	102	160	90	50,71	SP 24B-1C45
48	582,54	C	30	102	160	90	57,43	SP 24B-1C48
50	606,78	C	30	102	160	90	61,57	SP 24B-1C50
54	655,26	C	30	102	160	100	69,84	SP 24B-1C54
57	691,62	C	30	133	160	100	76,05	SP 24B-1C57
60	727,99	C	30	133	160	100	80,05	SP 24B-1C60
68	824,97	C	30	133	160	100	93,39	SP 24B-1C68
72	873,43	C	30	133	160	100	111,51	SP 24B-1C72
76	921,96	C	30	133	160	100	129,62	SP 24B-1C76
95	921,96	C	30	133	160	100	215,67	SP 24B-1C95
96	921,96	C	30	133	160	100	220,20	SP 24B-1C96
114	921,96	C	30	133	160	100	301,71	SP 24B-1C114

For plate type sprocket add "A" in hub type.

Eg.SP 24B-1 A9

# Shakti Pulley

## 1 3/4" Pitch

**SIMPLEX TYPE**  
**Pilot Bore**

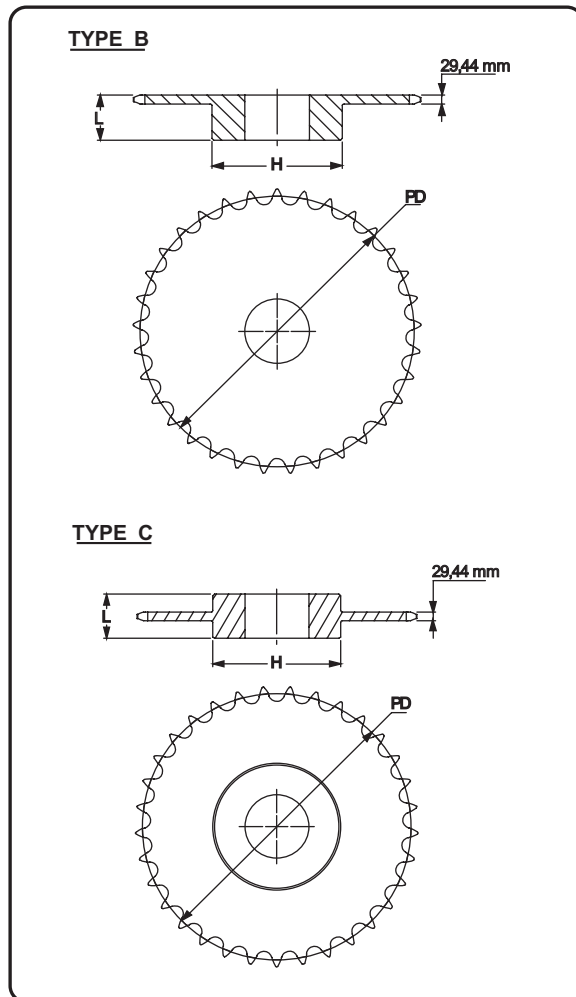
CHAIN DATA	
SIZE :	28B-1
PITCH :	44.45mm
INSIDE WIDTH :	30.99mm
ROLLER DIAMETER:	27.94mm

How to order :

Chain Pitch	Hub Type	No. of Teeth	Hardned
<b>28B-1</b>	<b>B</b>	<b>11</b>	<b>H</b>

Eg. SP 28B-1 B11

For hardened teeth sprocket, add 'H' after the sprocket profile EgSP 28B-1B11H



No. Teeth	Pitch Diameter	Type	Bore		Hub		Weight	Designation
			Min	Max	H	L		
	mm		mm	mm	mm	mm	kg	
11	157,77	B	25	73	112	70	5,27	SP 28B-1B11
12	171,74	B	25	84	125	70	6,40	SP 28B-1B12
13	185,74	B	25	93	125	70	8,22	SP 28B-1B13
14	199,76	B	25	93	125	70	9,13	SP 28B-1B14
15	213,79	B	25	108	125	70	11,40	SP 28B-1B15
16	227,84	B	30	108	160	75	12,76	SP 28B-1B16
17	241,91	B	30	108	160	75	13,65	SP 28B-1B17
18	255,98	B	30	108	160	75	13,65	SP 28B-1B18
19	270,06	B	30	108	160	75	15,01	SP 28B-1B19
20	284,14	B	30	108	160	75	16,84	SP 28B-1B20
21	298,24	B	30	108	160	75	18,19	SP 28B-1B21
22	312,34	B	30	108	160	75	19,11	SP 28B-1B22
23	326,44	B	30	108	160	75	20,46	SP 28B-1B23
24	340,54	B	30	108	160	75	21,84	SP 28B-1B24
25	354,65	B	30	108	160	75	22,73	SP 28B-1B25
26	368,77	B	30	108	160	75	26,83	SP 28B-1B26
27	382,88	B	30	108	160	75	27,74	SP 28B-1B27
28	397,00	B	30	108	160	75	30,29	SP 28B-1B28
30	425,24	B	30	108	160	75	32,73	SP 28B-1B30
32	453,49	B	30	134	180	75	34,84	SP 28B-1B32
38	538,27	B	30	134	180	75	51,25	SP 28B-1B38
40	566,54	C	30	134	180	75	52,84	SP 28B-1C40
42	594,81	C	30	134	180	90	54,43	SP 28B-1C42
45	637,22	C	30	134	180	90	60,55	SP 28B-1C45
48	679,63	C	30	134	180	90	62,72	SP 28B-1C48
54	764,47	C	30	134	180	100	74,60	SP 28B-1C54
57	806,89	C	30	134	180	100	81,77	SP 28B-1C57
60	849,32	C	30	134	180	100	88,94	SP 28B-1C60
68	962,47	C	30	137	180	100	108,05	SP 28B-1C68
72	1019,04	C	30	137	180	100	117,61	SP 28B-1C72
76	1075,62	C	30	137	180	100	127,17	SP 28B-1C76
95	1344,39	C	30	137	180	100	172,57	SP 28B-1C95

For plate type sprocket add "A" in hub type.  
Eg.SP 28B-1 A1



# Shakti Pulley

## 2" Pitch

**SIMPLEX TYPE**

**Pilot Bore**

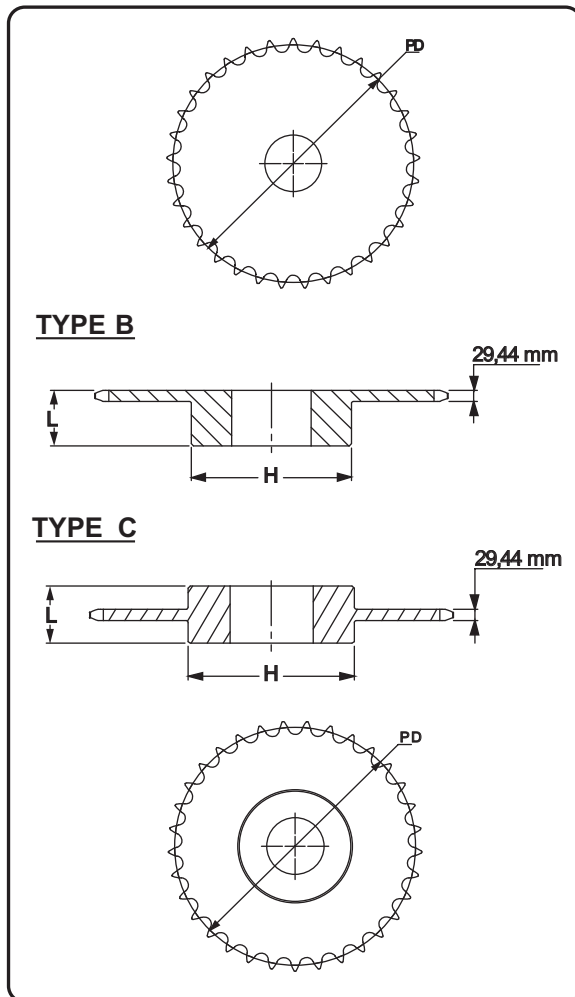
CHAIN DATA	
SIZE :	32B-1
PITCH :	50.80mm
INSIDE WIDTH :	30.99mm
ROLLER DIAMETER:	29.21mm

How to order :

Chain Pitch	Hub Type	No. of Teeth	Hardned
<b>32B-1</b>	<b>B</b>	<b>11</b>	<b>H</b>

Eg.SP 32B-1 B11

For hardened teeth sprocket, add 'H' after the sprocket profile Eg.SP 32B-1B11H



No. Teeth	Pitch Diameter	Type	Bore		Hub		Weight	Designation
			Min	Max	H	L		
			mm	mm	mm	mm		
11	180,31	B	30	83	120	90	9,04	SP 32B-1B11
12	196,28	B	30	89	133	90	11,11	SP 32B-1B12
13	212,27	B	30	102	145	90	12,61	SP 32B-1B13
14	228,29	B	30	102	145	90	14,97	SP 32B-1B14
15	244,33	B	30	102	145	90	17,32	SP 32B-1B15
16	260,39	B	30	103	160	90	18,78	SP 32B-1B16
17	276,46	B	30	103	160	90	20,23	SP 32B-1B17
18	292,55	B	30	103	160	90	21,88	SP 32B-1B18
19	308,64	B	30	103	160	90	23,53	SP 32B-1B19
20	324,74	B	30	133	180	90	25,37	SP 32B-1B20
21	340,84	B	30	133	180	90	27,20	SP 32B-1B21
22	356,96	B	30	133	180	90	29,23	SP 32B-1B22
23	373,07	B	30	133	180	90	31,25	SP 32B-1B23
24	389,19	B	30	133	180	90	35,33	SP 32B-1B24
25	405,32	B	30	133	180	90	36,80	SP 32B-1B25
26	421,45	B	30	133	180	90	39,41	SP 32B-1B26
27	437,58	B	30	133	180	90	42,02	SP 32B-1B27
28	453,72	B	30	133	180	90	44,62	SP 32B-1B28
30	485,99	B	30	133	180	90	49,84	SP 32B-1B30
32	518,28	B	30	139	180	90	58,02	SP 32B-1B32
38	615,17	B	30	139	180	90	86,78	SP 32B-1B38
40	647,47	C	30	139	180	90	91,35	SP 32B-1C40
42	679,78	C	30	139	180	90	95,91	SP 32B-1C42
45	728,25	C	30	139	180	100	116,97	SP 32B-1C45
48	790,72	C	30	139	180	100	130,43	SP 32B-1C48
54	873,68	C	30	139	180	100	157,34	SP 32B-1C54
57	922,16	C	30	139	180	100	190,79	SP 32B-1C57
60	990,65	C	30	139	200	110	184,25	SP 32B-1C60
68	1099,96	C	30	139	200	110	220,13	SP 32B-1C68
72	1164,62	C	30	139	200	110	282,31	SP 32B-1C72
90	1229,28	C	30	139	200	110	297,99	SP32B-1C90

For plate type sprocket add "A" in hub type.

Eg.SP 32B-1 A11

# Shakti Pulley

## 3/8" Pitch

DUPLEX TYPE

Pilot Bore

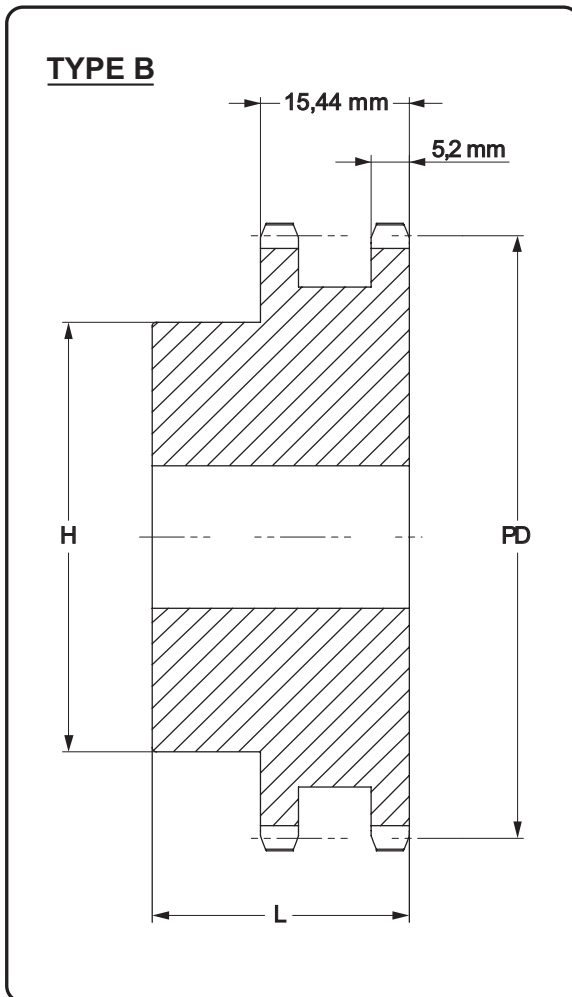
CHAIN DATA	
SIZE :	06B-2
PITCH :	9.525mm
INSIDE WIDTH :	5.90mm
ROLLER DIAMETER:	6.35mm

How to order :

Chain Pitch	Hub Type	No. of Teeth	Hardned
<b>06B-2</b>	<b>B</b>	<b>12</b>	<b>H</b>

Eg.SP 06B-2 B12

For hardened teeth sprocket, add 'H' after the sprocket profile EgSP 06B-2B12H



No. Teeth	Pitch Diameter	Type	Bore		Hub		Weight	Designation
			Min	Max	H	L		
	mm		mm	mm	mm	mm	kg	
12	36,80	B	10	12	25	25	0,11	SP 06B-2B12
13	39,79	B	10	12	28	25	0,14	SP 06B-2B13
14	42,80	B	10	18	31	25	0,17	SP 06B-2B14
15	45,81	B	10	18	34	25	0,20	SP 06B-2B15
16	48,82	B	12	20	37	30	0,26	SP 06B-2B16
17	51,83	B	12	23	40	30	0,32	SP 06B-2B17
18	54,85	B	12	25	43	30	0,37	SP 06B-2B18
19	57,87	B	12	28	46	30	0,42	SP 06B-2B19
20	60,89	B	12	25	49	30	0,48	SP 06B-2B20
21	63,91	B	12	30	52	30	0,54	SP 06B-2B21
22	66,93	B	12	28	55	30	0,61	SP 06B-2B22
23	69,95	B	12	35	58	30	0,67	SP 06B-2B23
24	72,97	B	12	32	61	30	0,74	SP 06B-2B24
25	76,00	B	12	40	64	30	0,81	SP 06B-2B25
26	79,02	B	12	32	67	30	0,92	SP 06B-2B26
27	82,05	B	12	40	70	30	0,97	SP 06B-2B27
28	85,07	B	12	32	73	30	1,08	SP 06B-2B28
29	88,09	B	12	32	76	30	1,15	SP 06B-2B29
30	91,12	B	12	40	79	30	1,23	SP 06B-2B30
32	97,17	B	16	52	80	30	1,38	SP 06B-2B32
35	106,26	B	16	52	80	30	1,61	SP 06B-2B35
36	109,29	B	16	60	90	30	1,69	SP 06B-2B36
38	115,35	B	16	50	90	30	1,84	SP 06B-2B38
40	121,40	B	16	52	90	30	2,00	SP 06B-2B40
42	127,46	B	16	60	90	40	2,15	SP 06B-2B42
45	136,55	B	16	50	90	40	2,01	SP 06B-2B45
48	145,64	B	16	60	90	40	2,61	SP 06B-2B48
52	157,75	B	16	60	90	40	2,92	SP 06B-2B52
57	172,91	B	16	50	90	40	2,34	SP 06B-2B57
60	182,00	B	16	60	90	40	3,53	SP 06B-2B60
68	206,24	B	16	60	90	40	4,14	SP 06B-2B68
70	212,30	B	16	60	90	40	4,30	SP 06B-2B70
72	218,37	B	16	60	90	40	4,45	SP 06B-2B72
76	230,49	B	16	50	90	40	3,35	SP 06B-2B76
84	254,74	B	16	60	90	40	5,37	SP 06B-2B84
95	288,08	B	16	62	90	40	6,21	SP 06B-2B95
96	291,11	B	16	62	90	40	6,29	SP 06B-2B96
114	345,68	B	16	62	90	40	7,67	SP 06B-2B114

For plate type sprocket add "A" in hub type.  
Eg.SP 06B-2 A12

# Shakti Pulley

## 1/2" Pitch

DUPLEX TYPE

Pilot Bore

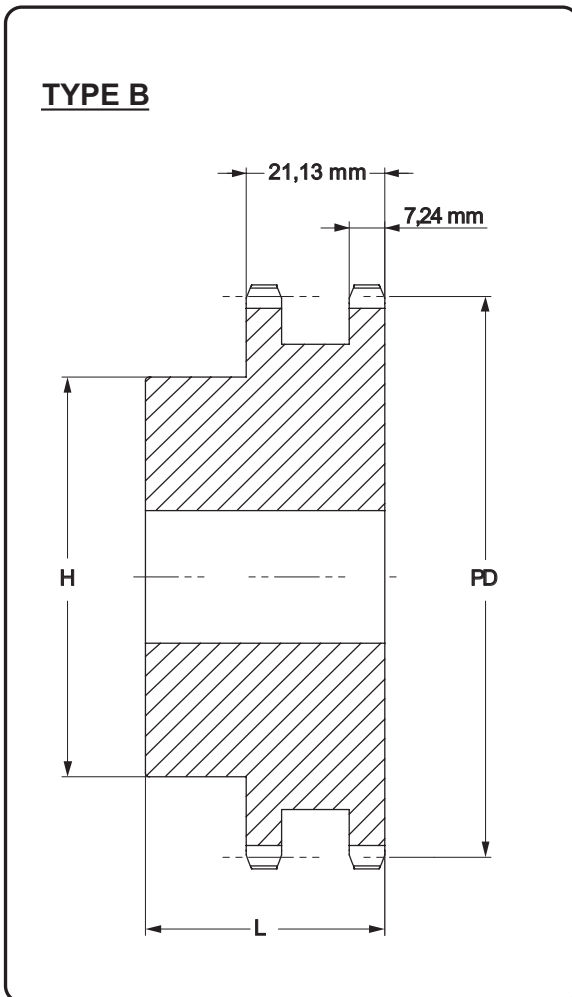
CHAIN DATA	
SIZE :	08B-2
PITCH :	12.70mm
INSIDE WIDTH :	7.85mm
ROLLER DIAMETER:	8.51mm

How to order :

Chain Pitch	Hub Type	No. of Teeth	Hardned
<b>08B-2</b>	<b>B</b>	<b>11</b>	<b>H</b>

Eg.SP 08B-2 B11

For hardened teeth sprocket, add 'H' after the sprocket profile EgSP 08B-2B11H



No. Teeth	Pitch Diameter	Type	Bore		Hub		Weight	Designation
			Min	Max	H	L		
	mm		mm	mm	mm	mm	kg	
10	41,10	B	10	18	28	32	0,15	SP 08B-2B10
11	45,07	B	12	21	32	35	0,22	SP 08B-2B11
12	49,07	B	12	19	35	35	0,29	SP 08B-2B12
13	53,06	B	12	21	38	35	0,36	SP 08B-2B13
14	57,07	B	12	28	42	35	0,44	SP 08B-2B14
15	61,09	B	12	28	46	35	0,52	SP 08B-2B15
16	65,10	B	14	33	50	35	0,61	SP 08B-2B16
17	69,11	B	14	30	54	35	0,70	SP 08B-2B17
18	73,14	B	14	38	58	35	0,81	SP 08B-2B18
19	77,16	B	14	40	62	35	0,91	SP 08B-2B19
20	81,19	B	14	40	66	35	1,10	SP 08B-2B20
21	85,22	B	16	40	70	40	1,29	SP 08B-2B21
22	89,24	B	16	45	70	40	1,37	SP 08B-2B22
23	93,27	B	16	50	70	40	1,46	SP 08B-2B23
24	97,29	B	16	50	75	40	1,64	SP 08B-2B24
25	101,33	B	16	50	80	40	1,83	SP 08B-2B25
26	105,36	B	16	56	85	40	1,96	SP 08B-2B26
27	109,40	B	16	50	85	40	2,09	SP 08B-2B27
28	113,42	B	16	60	90	40	2,31	SP 08B-2B28
29	117,46	B	16	62	95	40	2,53	SP 08B-2B29
30	121,50	B	16	50	100	40	2,75	SP 08B-2B30
32	129,56	B	20	64	100	40	3,08	SP 08B-2B32
34	137,64	B	20	64	100	40	3,24	SP 08B-2B34
35	141,68	B	20	64	100	40	3,41	SP 08B-2B35
36	145,72	B	20	73	100	40	3,74	SP 08B-2B36
38	153,80	B	20	55	100	40	4,08	SP 08B-2B38
40	161,87	B	20	73	100	50	4,00	SP 08B-2B40
42	169,95	B	20	73	108	50	3,90	SP 08B-2B42
45	182,07	B	20	55	108	50	3,70	SP 08B-2B45
48	194,18	B	20	73	108	50	4,10	SP 08B-2B48
54	218,43	B	20	73	108	50	4,70	SP 08B-2B54
57	230,54	B	20	55	108	50	5,01	SP 08B-2B57
60	242,66	B	20	73	108	50	5,34	SP 08B-2B60
68	274,99	B	20	73	108	55	5,68	SP 08B-2B68
72	291,16	B	20	73	108	55	6,02	SP 08B-2B72
76	307,33	B	20	60	108	55	6,36	SP 08B-2B76
84	339,65	B	20	80	120	55	8,31	SP 08B-2B84
95	384,10	B	20	60	110	55	10,26	SP 08B-2B95
96	388,15	B	20	80	110	55	11,00	SP 08B-2B96
114	460,90	B	20	80	110	55	12,45	SP 08B-2B114

For plate type sprocket add "A" in hub type.  
Eg.SP 08B-2A11

# Shakti Pulley

## 5/8" Pitch

DUPLEX TYPE

Pilot Bore

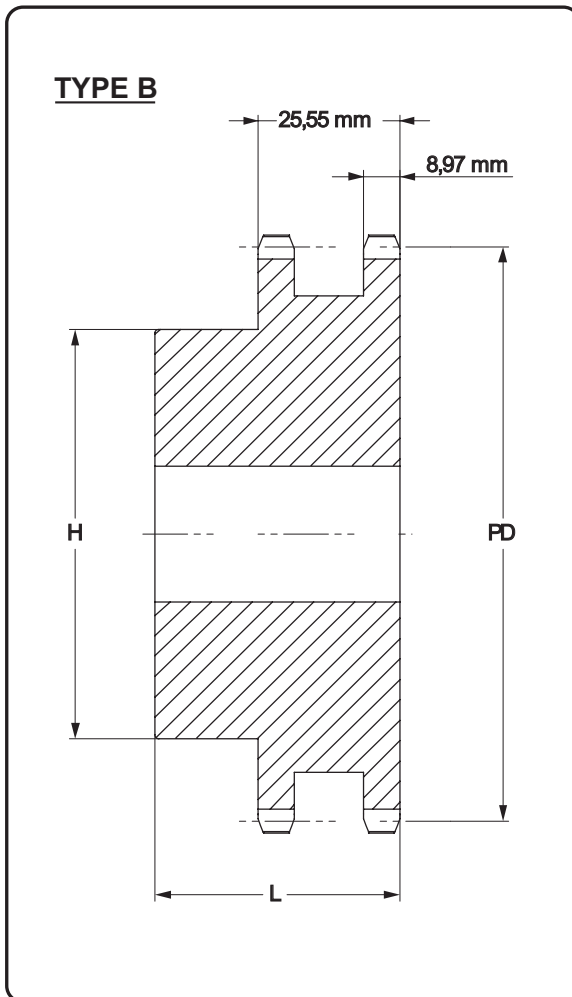
CHAIN DATA	
SIZE :	10B-2
PITCH :	15.875mm
INSIDE WIDTH :	9.85mm
ROLLER DIAMETER:	10.16mm

How to order :

Chain Pitch	Hub Type	No. of Teeth	Hardned
<b>10B-2</b>	<b>B</b>	<b>11</b>	<b>H</b>

Eg.SP 10B-2 B11

For hardened teeth sprocket, add 'H' after the sprocket profile Eg.SP 10B-2B11H



No. Teeth	Pitch Diameter	Type	Bore		Hub		Weight	Designation
			Min	Max	H	L		
	mm		mm	mm	mm	mm	kg	
11	56,34	B	14	24	39	40	0,45	SP 10B-2B11
12	61,34	B	14	25	44	40	0,57	SP 10B-2B12
13	66,32	B	14	29	49	40	0,70	SP 10B-2B13
14	71,34	B	14	35	54	40	0,84	SP 10B-2B14
15	76,36	B	14	35	59	40	0,99	SP 10B-2B15
16	81,37	B	16	40	64	45	1,23	SP 10B-2B16
17	86,39	B	16	40	69	45	1,47	SP 10B-2B17
18	91,42	B	16	48	74	45	1,68	SP 10B-2B18
19	96,45	B	16	46	79	45	1,90	SP 10B-2B19
20	101,49	B	16	56	84	45	2,10	SP 10B-2B20
21	106,52	B	16	55	85	45	2,31	SP 10B-2B21
22	111,55	B	16	60	90	45	2,58	SP 10B-2B22
23	116,58	B	16	55	95	45	2,85	SP 10B-2B23
24	121,62	B	16	64	100	45	3,14	SP 10B-2B24
25	126,66	B	16	55	105	45	3,44	SP 10B-2B25
26	131,70	B	20	73	110	45	3,69	SP 10B-2B26
27	136,75	B	20	55	110	45	3,95	SP 10B-2B27
28	141,78	B	20	76	115	45	4,25	SP 10B-2B28
29	146,83	B	20	76	115	45	4,55	SP 10B-2B29
30	151,87	B	20	58	120	45	4,87	SP 10B-2B30
32	161,95	B	20	80	120	45	4,95	SP 10B-2B32
35	177,10	B	20	80	120	45	5,08	SP 10B-2B35
36	182,15	B	20	80	120	45	5,11	SP 10B-2B36
38	192,24	B	20	58	120	45	5,20	SP 10B-2B38
40	202,34	B	20	80	120	45	5,41	SP 10B-2B40
45	227,58	B	20	60	120	50	5,94	SP 10B-2B45
48	242,73	B	20	80	120	50	7,27	SP 10B-2B48
57	288,18	B	20	60	120	50	8,61	SP 10B-2B57
60	303,32	B	20	85	120	57	9,30	SP 10B-2B60
70	353,84	B	20	85	120	57	9,99	SP 10B-2B70
76	384,16	B	20	85	120	57	10,68	SP 10B-2B76
80	404,35	B	20	85	130	58	11,00	SP 10B-2B80
95	480,14	B	20	85	130	58	12,00	SP 10B-2B95
114	576,13	B	20	85	130	58	13,00	SP 10B-2B114

For plate type sprocket add "A" in hub type.  
Eg.SP 10B-2 A11

# Shakti Pulley

## 3/4" Pitch

DUPLEX TYPE

Pilot Bore

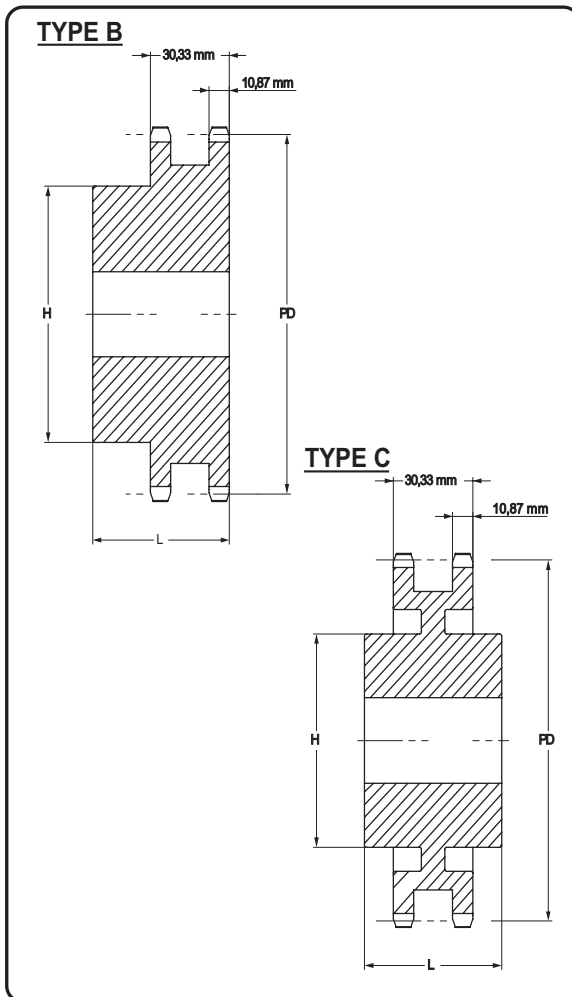
CHAIN DATA	
SIZE :	12B-2
PITCH :	19.05mm
INSIDE WIDTH :	11.70mm
ROLLER DIAMETER:	12.07mm

How to order :

Chain Pitch	Hub Type	No. of Teeth	Hardned
<b>12B-2</b>	<b>B</b>	<b>11</b>	<b>H</b>

Eg.SP 12B-2 B11

For hardened teeth sprocket, add 'H' after the sprocket profile Eg.SP 12B-2B11H



No. Teeth	Pitch Diameter	Type	Bore		Hub		Weight	Designation
			Min	Max	H	L		
	mm		mm	mm	mm	mm	kg	
10	61,65	B	12	32	42	45	0,57	SP 12B-2B10
11	67,61	B	16	32	47	50	0,80	SP 12B-2B11
12	73,61	B	16	32	53	50	1,03	SP 12B-2B12
13	79,59	B	16	36	59	50	1,26	SP 12B-2B13
14	85,61	B	16	42	65	50	1,52	SP 12B-2B14
15	91,63	B	16	44	71	50	1,78	SP 12B-2B15
16	97,65	B	20	51	77	50	2,08	SP 12B-2B16
17	103,67	B	20	55	83	50	2,37	SP 12B-2B17
18	109,71	B	20	60	89	50	2,72	SP 12B-2B18
19	115,75	B	20	55	95	50	3,07	SP 12B-2B19
20	121,78	B	20	64	100	50	3,39	SP 12B-2B20
21	127,82	B	20	60	100	50	3,70	SP 12B-2B21
22	133,86	B	20	64	100	50	4,11	SP 12B-2B22
23	139,90	B	20	60	110	50	4,52	SP 12B-2B23
24	145,94	B	20	73	110	50	4,96	SP 12B-2B24
25	152,00	B	20	60	120	50	5,39	SP 12B-2B25
26	158,04	B	20	80	120	50	5,74	SP 12B-2B26
27	164,09	B	20	60	120	50	6,09	SP 12B-2B27
28	170,13	B	20	80	120	50	6,45	SP 12B-2B28
30	182,25	B	20	60	120	50	7,17	SP 12B-2B30
32	194,36	B	20	85	120	50	8,41	SP 12B-2B32
35	212,52	B	20	85	120	50	9,70	SP 12B-2B35
36	218,58	B	25	85	120	50	10,12	SP 12B-2B36
38	230,69	B	25	65	120	50	10,98	SP 12B-2B38
40	242,81	B	25	85	120	50	11,84	SP 12B-2B40
45	273,10	B	25	65	136	62	10,58	SP 12B-2B45
48	291,27	B	25	85	136	62	15,26	SP 12B-2B48
57	345,81	B	25	70	136	62	11,72	SP 12B-2B57
60	363,99	B	25	85	136	62	20,40	SP 12B-2B60
68	412,49	C	25	85	140	63	23,83	SP 12B-2C68
76	460,99	C	25	80	140	63	18,50	SP 12B-2C76
80	485,22	C	25	85	140	63	28,97	SP 12B-2C80
95	576,17	C	25	93	140	63	35,39	SP 12B-2C95
96	582,23	C	25	93	140	63	35,82	SP 12B-2C96
114	691,36	C	25	93	140	63	43,53	SP 12B-2C114

For plate type sprocket add "A" in hub type.  
Eg.SP 12B-2 A11

# Shakti Pulley

## 1" Pitch

**DUPLEX TYPE**

**Pilot Bore**

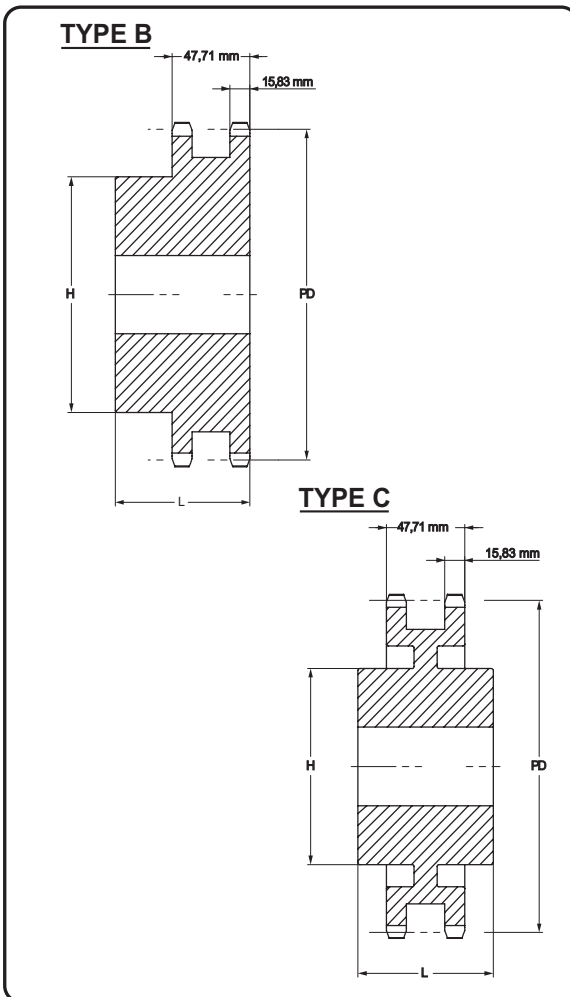
CHAIN DATA	
SIZE :	16B-2
PITCH :	25.40mm
INSIDE WIDTH :	17.50mm
ROLLER DIAMETER:	15.88mm

How to order :

Chain Pitch	Hub Type	No. of Teeth	Hardned
<b>16B-2</b>	<b>B</b>	<b>11</b>	<b>H</b>

Eg.SP 16B-2 B11

For hardened teeth sprocket, add 'H' after the sprocket profile Eg.SP 16B-2B11H



No. Teeth	Pitch Diameter	Type	Bore		Hub		Weight	Designation
			Min	Max	H	L		
			mm	mm	mm	mm		
11	90,14	B	20	42	64	70	1,86	SP 16B-2B11
12	98,14	B	20	45	72	70	2,54	SP 16B-2B12
13	106,12	B	20	48	80	70	3,22	SP 16B-2B13
14	114,15	B	20	53	88	70	3,90	SP 16B-2B14
15	122,17	B	20	58	96	70	4,58	SP 16B-2B15
16	130,20	B	20	66	104	70	5,35	SP 16B-2B16
17	138,22	B	20	70	112	70	6,12	SP 16B-2B17
18	146,28	B	20	80	120	70	7,02	SP 16B-2B18
19	154,33	B	20	70	128	70	7,91	SP 16B-2B19
20	162,38	B	20	85	130	70	8,59	SP16B-2B20
21	170,43	B	25	75	130	70	9,26	SP 16B-2B21
22	178,48	B	25	85	130	70	10,05	SP 16B-2B22
23	186,53	B	25	75	130	70	10,84	SP 16B-2B23
24	194,59	B	25	85	130	70	11,70	SP 16B-2B24
25	202,66	B	25	75	130	70	12,56	SP 16B-2B25
26	210,72	B	25	85	130	70	13,52	SP 16B-2B26
27	218,79	B	25	75	130	70	14,48	SP 16B-2B27
28	226,85	B	25	85	130	70	15,49	SP 16B-2B28
29	234,92	B	25	85	130	70	16,51	SP 16B-2B29
30	243,00	B	25	75	130	70	17,52	SP 16B-2B30
32	259,13	B	25	95	140	70	20,13	SP 16B-2B32
35	283,36	B	25	95	140	70	24,04	SP 16B-2B35
36	291,44	B	25	95	140	70	25,34	SP 16B-2B36
38	307,59	B	25	75	140	70	27,95	SP 16B-2B38
42	339,90	B	25	95	140	70	32,35	SP 16B-2B42
45	364,13	C	25	85	140	70	22,00	SP 16B-2C45
57	461,07	C	25	85	150	85	34,50	SP 16B-2C57
60	485,32	C	25	95	150	85	52,14	SP 16B-2C60
68	549,98	C	25	96	160	90	60,93	SP 16B-2C68
76	614,65	C	25	100	160	90	51,50	SP 16B-2C76
80	646,96	C	25	102	160	90	74,13	SP 16B-2C80
95	768,22	C	25	100	160	90	90,62	SP 16B-2C95
114	921,81	C	25	102	160	90	111,51	SP 16B-2C114

For plate type sprocket add "A" in hub type.  
Eg.SP 16B-2 A11



# Shakti Pulley

## 1 1/4" Pitch

**DUPLEX TYPE  
Pilot Bore**

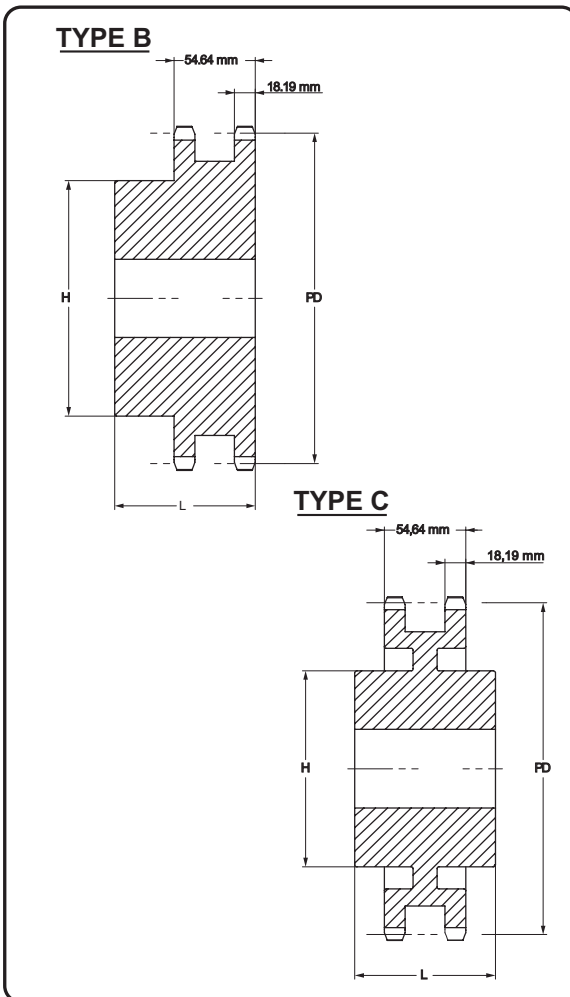
CHAIN DATA	
SIZE :	20B-2
PITCH :	31.75mm
INSIDE WIDTH :	19.58mm
ROLLER DIAMETER:	19.05mm

How to order :

Chain Pitch	Hub Type	No. of Teeth	Hardned
<b>20B-2</b>	<b>B</b>	<b>11</b>	<b>H</b>

Eg. SP 20B-2 B11

For hardened teeth sprocket, add 'H' after the sprocket profile Eg.SP 20B-2B11H



No. Teeth	Pitch Diameter	Type	Bore		Hub		Weight	Designation
			Min	Max	H	L		
	mm		mm	mm	mm	mm	kg	
10	102,75	B	20	45	70	75	2,90	SP 20B-2B10
11	112,70	B	20	52	80	80	3,67	SP 20B-2B11
12	122,67	B	20	60	90	80	4,31	SP 20B-2B12
13	132,67	B	20	64	100	80	5,53	SP 20B-2B13
14	142,68	B	20	73	110	80	6,62	SP 20B-2B14
15	152,71	B	20	80	120	80	7,76	SP 20B-2B15
16	162,75	B	25	80	120	80	9,12	SP 20B-2B16
17	172,79	B	25	80	120	80	10,44	SP 20B-2B17
18	182,84	B	25	80	120	80	11,71	SP 20B-2B18
19	192,90	B	25	80	120	80	12,92	SP 20B-2B19
20	202,96	B	25	80	120	80	15,43	SP 20B-2B20
21	213,03	B	25	92	140	80	16,55	SP 20B-2B21
22	223,10	B	25	92	140	80	17,70	SP 20B-2B22
23	233,17	B	25	92	140	80	19,05	SP 20B-2B23
24	243,25	B	25	96	140	80	20,43	SP 20B-2B24
25	253,32	B	25	96	140	80	21,77	SP 20B-2B25
26	263,41	B	25	96	150	80	23,15	SP 20B-2B26
27	273,49	B	25	96	150	80	24,97	SP 20B-2B27
28	283,57	B	25	96	150	80	26,78	SP 20B-2B28
30	303,75	B	25	96	150	80	30,41	SP 20B-2B30
32	323,92	B	25	96	150	80	32,22	SP 20B-2B32
35	354,20	C	25	100	150	80	34,02	SP 20B-2C35
36	364,29	C	30	100	150	80	34,70	SP 20B-2C36
38	384,48	C	30	100	150	80	43,72	SP 20B-2C38
42	424,86	C	30	100	160	90	43,55	SP 20B-2C42
45	455,15	C	30	100	160	90	46,72	SP 20B-2C45
57	576,35	C	30	100	160	100	64,10	SP 20B-2C57
60	606,66	C	30	125	160	100	79,38	SP 20B-2C60
68	687,48	C	30	125	180	100	87,74	SP 20B-2C68
76	768,30	C	30	125	180	100	96,11	SP 20B-2C76
80	808,71	C	30	125	180	100	100,30	SP 20B-2C80
95	960,28	C	30	125	180	100	115,98	SP 20B-2C95
114	1152,26	C	30	125	180	100	135,85	SP 20B-2C114

For plate type sprocket add "A" in hub type.  
Eg.SP 20B-2 A11

# Shakti Pulley

## 1 1/2" Pitch

**DUPLEX TYPE  
Pilot Bore**

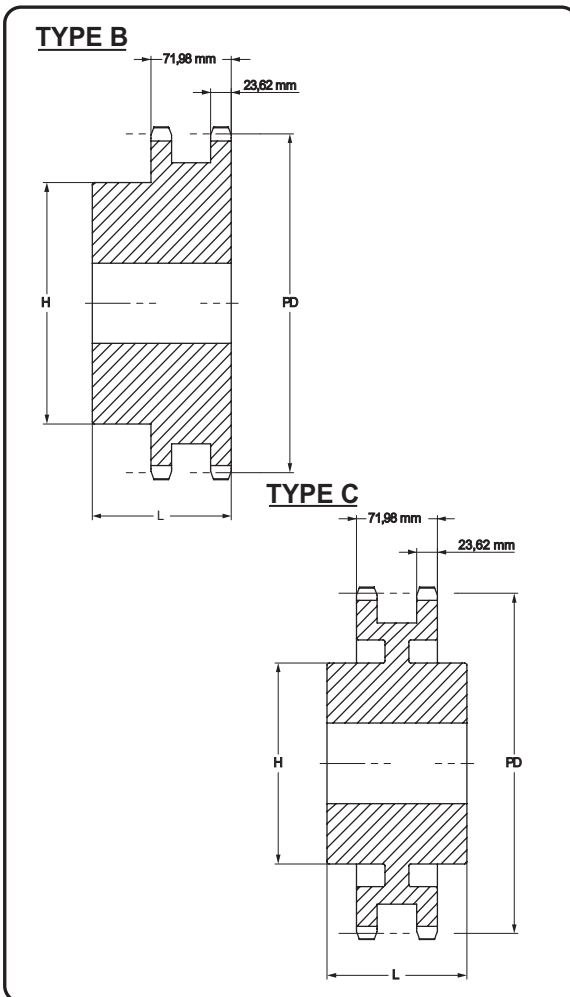
CHAIN DATA	
SIZE :	24B-2
PITCH :	38.10mm
INSIDE WIDTH :	25.40mm
ROLLER DIAMETER:	25.40mm

How to order :

Chain Pitch	Hub Type	No. of Teeth	Hardned
<b>24B-2</b>	<b>B</b>	<b>11</b>	<b>H</b>

Eg.SP 24B-2 B11

For hardened teeth sprocket, add 'H' after the sprocket profile EgSP 24B-2B11H



No. Teeth	Pitch Diameter	Type	Bore		Hub		Weight	Designation
			Min	Max	H	L		
	mm		mm	mm	mm	mm	kg	
11	135.23	B	25	60	90	100	6.50	SP 24B-2B11
12	147.21	B	25	67	102	100	8.13	SP 24B-2B12
13	159.20	B	25	76	114	100	9.92	SP 24B-2B13
14	171.22	B	25	84	128	100	11.98	SP 24B-2B14
15	183.25	B	25	93	132	100	14.13	SP 24B-2B15
16	195.29	B	25	100	136	100	16.35	SP 24B-2B16
17	207.35	B	25	100	136	100	17.85	SP 24B-2B17
18	219.41	B	25	108	150	100	20.35	SP 24B-2B18
19	231.48	B	25	108	160	100	22.56	SP 24B-2B19
20	243.55	B	25	108	160	100	24.78	SP 24B-2B20
21	255.63	B	25	108	160	100	26.99	SP 24B-2B21
22	267.72	B	25	108	160	100	29.74	SP 24B-2B22
23	279.80	B	25	108	160	100	32.87	SP 24B-2B23
24	291.90	B	25	108	160	100	36.00	SP 24B-2B24
25	303.99	B	25	108	160	100	39.13	SP 24B-2B25
26	316.09	B	30	108	160	100	42.26	SP 24B-2B26
27	328.19	B	30	108	160	100	45.40	SP 24B-2B27
28	340.29	B	30	108	160	100	48.53	SP 24B-2B28
29	352.39	B	30	108	160	100	51.66	SP 24B-2B29
30	364.49	B	30	108	160	100	54.79	SP 24B-2B30
32	388.71	B	30	108	160	100	61.05	SP 24B-2B32
38	461.37	B	30	137	160	100	72.01	SP 24B-2B38
40	485.60	C	30	137	160	100	75.80	SP 24B-2C40
42	509.83	C	30	137	180	100	79.59	SP 24B-2C42
45	546.19	C	30	137	180	100	85.28	SP 24B-2C45
48	582.54	C	30	137	180	100	90.97	SP 24B-2C48
50	606.78	C	30	137	180	100	94.76	SP 24B-2C50
54	655.26	C	30	161	180	110	127.46	SP 24B-2C54
57	691.62	C	30	161	180	110	140.74	SP 24B-2C57
60	727.99	C	30	161	180	120	154.02	SP 24B-2C60
68	824.97	C	30	161	200	120	189.45	SP 24B-2C68
72	873.46	C	30	161	200	120	207.16	SP 24B-2C72
76	921.96	C	30	161	200	120	224.87	SP 24B-2C76
95	1152.33	C	30	161	200	120	309.00	SP 24B-2C95
96	1164.46	C	30	161	200	120	313.43	SP 24B-2C96
114	1382.72	C	30	161	200	120	393.13	SP 24B-2C114

For plate type sprocket add "A" in hub type.

Eg.SP 24B-2 A11

# Shakti Pulley

## 1 3/4" Pitch

**DUPLEX TYPE**  
**Pilot Bore**

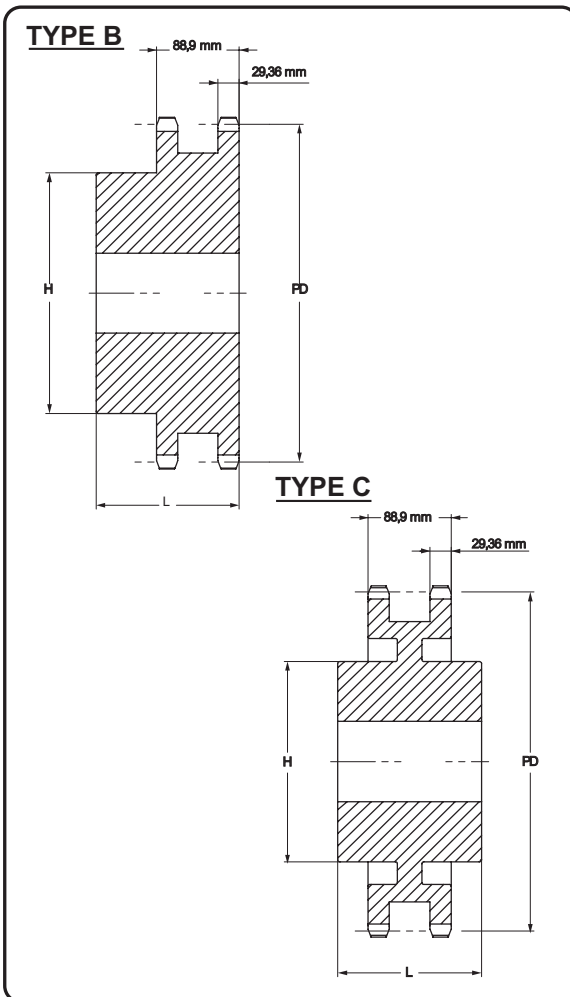
CHAIN DATA	
SIZE :	28B-2
PITCH :	44.45mm
INSIDE WIDTH :	30.99mm
ROLLER DIAMETER:	27.94mm

How to order :

Chain Pitch	Hub Type	No. of Teeth	Hardned
<b>28B-2</b>	<b>B</b>	<b>11</b>	<b>H</b>

Eg.SP 28B-2 B11

For hardened teeth sprocket, add 'H' after the sprocket profile EgSP28B-2B11H



No. Teeth	Pitch Diameter	Type	Bore		Hub		Weight	Designation
			Min	Max	H	L		
	mm		mm	mm	mm	mm	kg	
11	157.77	B	25	73	112	120	10.21	SP 28B-2B11
12	171.74	B	25	84	125	120	13.02	SP 28B-2B12
13	185.75	B	25	84	125	120	16.00	SP 28B-2B13
14	199.76	B	25	87	125	120	19.28	SP 28B-2B14
15	213.79	B	25	96	145	120	22.91	SP 28B-2B15
16	227.84	B	30	108	160	120	26.92	SP 28B-2B16
17	241.91	B	30	114	160	120	30.83	SP 28B-2B17
18	255.98	B	30	114	160	120	34.74	SP 28B-2B18
19	270.06	B	30	133	180	120	38.93	SP 28B-2B19
20	284.15	B	30	133	180	120	44.27	SP 28B-2B20
21	298.24	B	30	133	180	120	45.08	SP 28B-2B21
22	312.34	B	30	133	180	120	48.15	SP 28B-2B22
23	326.44	B	30	133	180	120	51.59	SP 28B-2B23
24	340.55	B	30	133	180	120	55.03	SP 28B-2B24
25	354.66	B	30	133	180	120	58.47	SP 28B-2B25
26	368.77	B	30	133	180	120	64.06	SP 28B-2B26
28	397.00	B	30	133	180	120	76.05	SP 28B-2B28
30	425.24	B	30	133	180	120	89.16	SP 28B-2B30
32	453.49	B	30	133	180	120	103.38	SP 28B-2B32
38	538.27	B	30	133	200	120	97.53	SP 28B-2B38
40	566.54	C	30	137	200	120	109.47	SP 28B-2C40
45	637.22	C	30	137	200	120	137.32	SP 28B-2C45
48	679.63	C	30	137	200	120	153.61	SP 28B-2C48
54	764.46	C	30	162	200	120	204.44	SP 28B-2C54
57	806.90	C	30	162	200	120	210.02	SP 28B-2C57
60	849.32	C	30	162	200	130	230.82	SP 28B-2C60
68	962.46	C	30	162	200	130	273.98	SP 28B-2C68
72	1019.05	C	30	162	200	130	305.70	SP 28B-2C72
76	1075.62	C	30	162	200	130	323.56	SP 28B-2C76

For plate type sprocket add "A" in hub type.

Eg.SP 28B-2A11

# Shakti Pulley

## 2" Pitch

DUPLEX TYPE

Pilot Bore

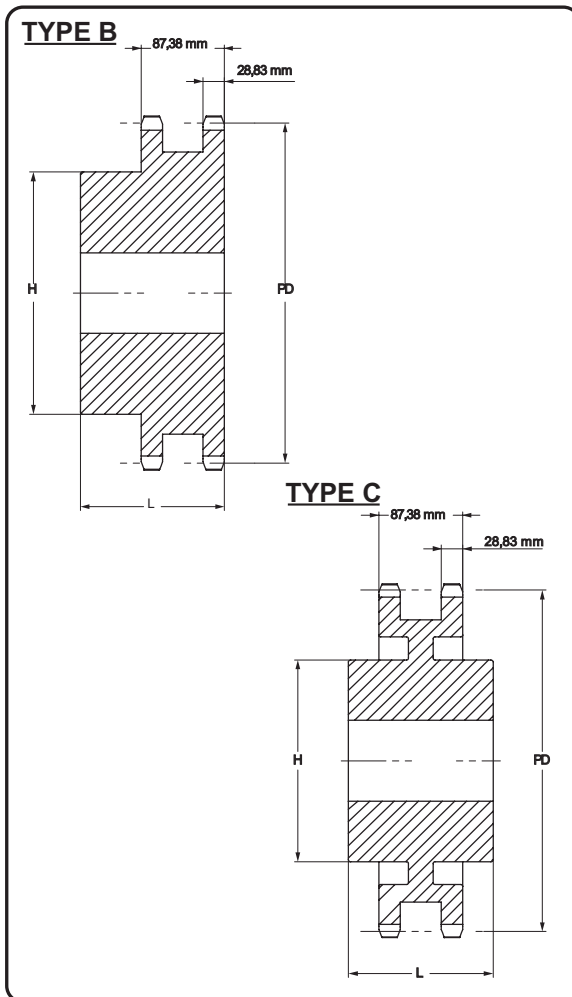
CHAIN DATA	
SIZE :	32B-2
PITCH :	50.80mm
INSIDE WIDTH :	30.99mm
ROLLER DIAMETER:	29.21mm

How to order :

Chain Pitch	Hub Type	No. of Teeth	Hardned
<b>32B-2</b>	<b>B</b>	<b>11</b>	<b>H</b>

Eg.SP 32B-2 B11

For hardened teeth sprocket, add 'H' after the sprocket profile EgSP 32B-2B11H



No. Teeth	Pitch Diameter	Type	Bore		Hub		Weight	Designation
			Min	Max	H	L		
			mm	mm	mm	mm		
11	180,34	B	30	80	120	120	10,42	SP 32B-2B11
12	196,29	B	30	89	133	120	16,32	SP 32B-2B12
13	212,29	B	30	96	145	120	21,77	SP 32B-2B13
14	228,29	B	30	103	145	120	26,31	SP 32B-2B14
15	244,30	B	30	106	160	120	30,84	SP 32B-2B15
16	260,40	B	30	120	160	120	34,02	SP 32B-2B16
17	276,40	B	30	120	180	120	41,28	SP 32B-2B17
18	292,55	B	30	120	180	120	43,55	SP 32B-2B18
19	308,66	B	30	120	200	120	48,53	SP 32B-2B19
20	324,71	B	30	130	200	120	53,98	SP 32B-2B20
21	340,82	B	30	130	200	120	58,97	SP 32B-2B21
22	356,98	B	30	130	200	120	63,96	SP 32B-2B22
23	373,08	B	30	130	200	120	71,21	SP 32B-2B23
24	389,18	B	30	130	200	120	77,57	SP 32B-2B24
25	405,33	B	30	130	200	120	84,82	SP 32B-2B25
26	421,44	B	30	130	200	120	91,17	SP 32B-2B26
28	453,69	B	30	130	200	120	101,13	SP 32B-2B28
30	486,00	B	30	130	200	120	116,57	SP 32B-2B30
38	615,14	B	30	178	200	120	170,25	SP 32B-2B38
40	647,49	C	30	178	200	120	177,46	SP 32B-2C40
45	728,26	C	30	178	200	120	195,50	SP 32B-2C45
48	776,72	C	30	178	200	120	204,51	SP 32B-2C48
54	873,68	C	30	178	220	120	222,53	SP 32B-2C54
57	922,16	C	30	178	220	120	231,54	SP 32B-2C57
68	1099,96	C	30	178	220	130	255,83	SP 32B-2C68
76	1229,28	C	30	178	220	130	292,83	SP 32B-2C76

For plate type sprocket add "A" in hub type.

Eg.SP 32B-2A11

# Shakti Pulley

## 3/8" Pitch

TRIPLEX TYPE

Pilot Bore

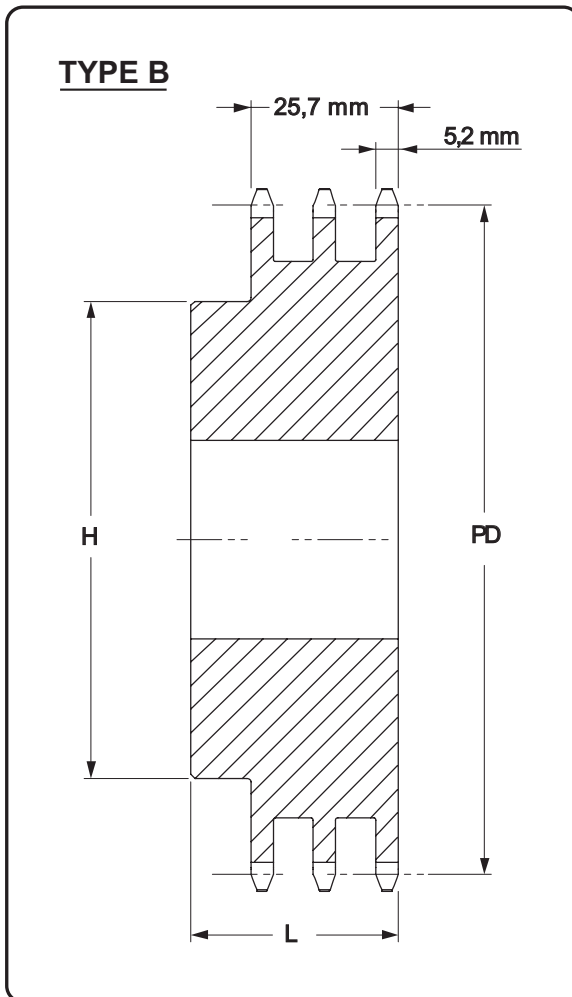
CHAIN DATA	
SIZE :	06B-3
PITCH :	9.525mm
INSIDE WIDTH :	5.90mm
ROLLER DIAMETER:	6.35mm

How to order :

Chain Pitch	Hub Type	No. of Teeth	Hardned
<b>06B-3</b>	<b>B</b>	<b>12</b>	<b>H</b>

Eg.SP 06B-3 B12

For hardened teeth sprocket, add 'H' after the sprocket profile EgSP 06B-3B12H



No. Teeth	Pitch Diameter	Type	Bore		Hub		Weight	Designation
			Min	Max	H	L		
			mm	mm	mm	mm		
12	36,80	B	10	16	25	35	0,23	SP 06B-3B12
13	39,79	B	10	18	28	35	0,27	SP 06B-3B13
14	42,80	B	12	18	31	35	0,32	SP 06B-3B14
15	45,81	B	12	20	34	35	0,36	SP 06B-3B15
16	48,82	B	12	20	37	35	0,45	SP 06B-3B16
17	51,83	B	12	24	40	35	0,54	SP 06B-3B17
18	54,85	B	12	25	43	35	0,64	SP 06B-3B18
19	57,87	B	12	28	46	35	0,72	SP 06B-3B19
20	60,89	B	12	30	49	35	0,77	SP 06B-3B20
21	63,91	B	14	30	52	40	0,86	SP 06B-3B21
22	66,93	B	14	35	55	40	0,95	SP 06B-3B22
23	69,95	B	14	38	58	40	1,04	SP 06B-3B23
24	72,97	B	14	39	61	40	1,18	SP 06B-3B24
25	76,02	B	14	40	64	40	1,27	SP 06B-3B25
26	79,02	B	14	42	67	40	1,31	SP 06B-3B26
27	82,02	B	14	45	70	40	1,36	SP 06B-3B27
28	85,07	B	14	48	73	40	1,50	SP 06B-3B28
29	88,09	B	14	50	76	40	1,68	SP 06B-3B29
30	91,12	B	14	52	79	40	1,72	SP 06B-3B30
32	97,17	B	16	52	80	40	2,00	SP 06B-3B32
35	106,26	B	16	52	85	40	2,25	SP 06B-3B35
36	109,29	B	16	60	90	40	2,33	SP 06B-3B36
38	115,35	B	16	60	90	40	2,49	SP 06B-3B38
40	121,40	B	16	60	90	40	2,65	SP 06B-3B40
42	127,46	B	16	60	90	56	2,81	SP 06B-3B42
45	136,55	B	16	60	90	56	3,00	SP 06B-3B45
48	145,64	B	16	60	90	56	3,20	SP 06B-3B48
52	157,75	B	16	60	90	56	3,46	SP 06B-3B52
57	172,91	B	16	60	90	56	4,77	SP 06B-3B57
60	181,99	B	16	60	90	56	5,02	SP 06B-3B60
68	206,24	B	16	60	90	56	5,69	SP 06B-3B68
70	212,30	B	16	60	90	56	5,86	SP 06B-3B70
72	218,37	B	16	60	90	56	6,02	SP 06B-3B72
76	230,49	B	16	64	90	56	8,48	SP 06B-3B76
84	254,74	B	16	64	90	56	9,37	SP 06B-3B84
95	288,08	B	16	64	90	56	13,61	SP 06B-3B95
96	291,11	B	16	64	90	56	13,75	SP 06B-3B96
114	345,69	B	16	64	90	56	17,48	SP 06B-3B114

For plate type sprocket add "A" in hub type.

Eg.SP 06B-3 A12

# Shakti Pulley

## 1/2" Pitch

TRIPLEX TYPE

Pilot Bore

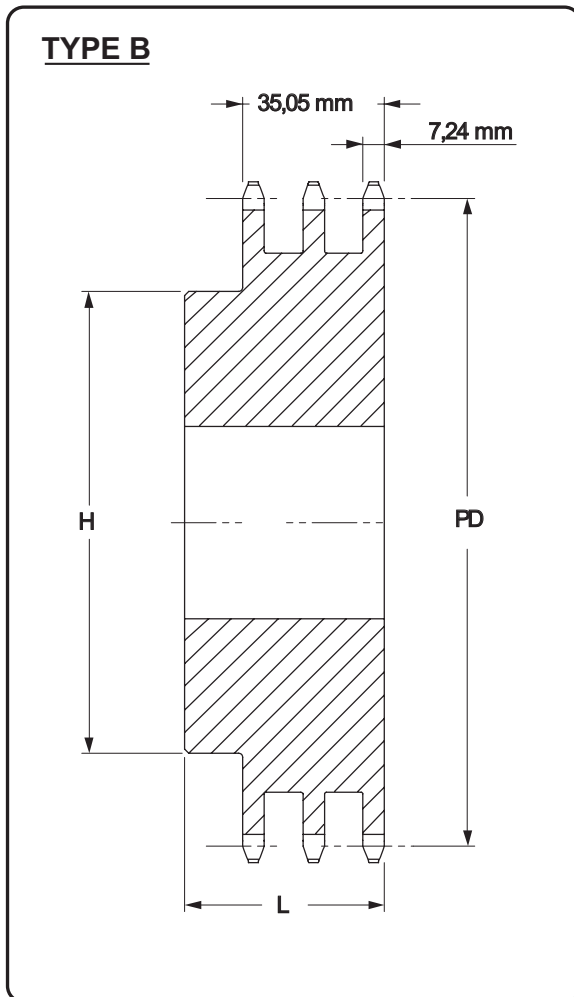
CHAIN DATA	
SIZE :	08B-3
PITCH :	12.70mm
INSIDE WIDTH :	7.85mm
ROLLER DIAMETER:	8.51mm

How to order :

Chain Pitch	Hub Type	No. of Teeth	Hardned
<b>08B-3</b>	<b>B</b>	<b>11</b>	<b>H</b>

Eg.SP 08B-3 B11

For hardened teeth sprocket, add 'H' after the sprocket profile Eg.SP 08B-3B11H



No. Teeth	Pitch Diameter	Type	Bore		Hub		Weight	Designation
			Min	Max	H	L		
	mm		mm	mm	mm	mm	kg	
11	45,07	B	14	22	32	50	0,32	SP 08B-3B11
12	49,07	B	14	24	35	50	0,45	SP 08B-3B12
13	53,06	B	14	25	38	50	0,59	SP 08B-3B13
14	57,07	B	14	28	42	50	0,72	SP 08B-3B14
15	61,09	B	14	31	46	50	0,81	SP 08B-3B15
16	65,10	B	16	35	50	50	0,90	SP 08B-3B16
17	69,11	B	16	36	54	50	1,04	SP 08B-3B17
18	73,14	B	16	38	58	50	1,22	SP 08B-3B18
19	77,16	B	16	40	62	50	1,41	SP 08B-3B19
20	81,19	B	16	40	66	50	1,58	SP 08B-3B20
21	85,22	B	16	45	70	55	1,81	SP 08B-3B21
22	89,24	B	16	45	70	55	2,03	SP 08B-3B22
23	93,27	B	16	45	70	55	2,27	SP 08B-3B23
24	97,29	B	16	50	75	55	2,44	SP 08B-3B24
25	101,33	B	16	52	80	55	2,54	SP 08B-3B25
26	105,36	B	20	56	85	55	2,85	SP 08B-3B26
27	109,40	B	20	56	85	55	2,85	SP 08B-3B27
28	113,42	B	20	60	90	55	3,16	SP 08B-3B28
29	117,46	B	20	62	95	55	3,34	SP 08B-3B29
30	121,50	B	20	64	100	55	3,48	SP 08B-3B30
35	141,68	B	20	73	110	55	4,79	SP 08B-3B35
36	145,72	B	25	80	120	55	5,43	SP 08B-3B36
38	153,80	B	25	80	120	55	6,49	SP 08B-3B38
42	169,95	B	25	80	120	60	7,17	SP 08B-3B42
45	182,07	B	25	80	120	60	7,69	SP 08B-3B45
48	194,18	B	25	80	120	60	8,20	SP 08B-3B48
52	210,34	B	25	80	120	60	8,88	SP 08B-3B52
54	218,43	B	25	80	120	60	9,22	SP 08B-3B54
57	230,54	B	25	80	120	60	12,62	SP 08B-3B57
60	242,66	B	25	85	120	60	13,84	SP 08B-3B60
68	274,99	B	25	85	120	60	15,69	SP 08B-3B68
72	291,16	B	25	85	120	60	16,61	SP 08B-3B72
76	307,33	B	25	85	120	60	22,23	SP 08B-3B76
84	339,65	B	25	85	120	60	24,57	SP 08B-3B84
95	384,11	B	25	85	120	60	33,11	SP 08B-3B95
114	460,90	B	25	85	120	60	41,90	SP 08B-3B114

For plate type sprocket add "A" in hub type.

Eg.SP 08B-3 A11



# Shakti Pulley

## 5/8" Pitch

TRIPLEX TYPE

Pilot Bore

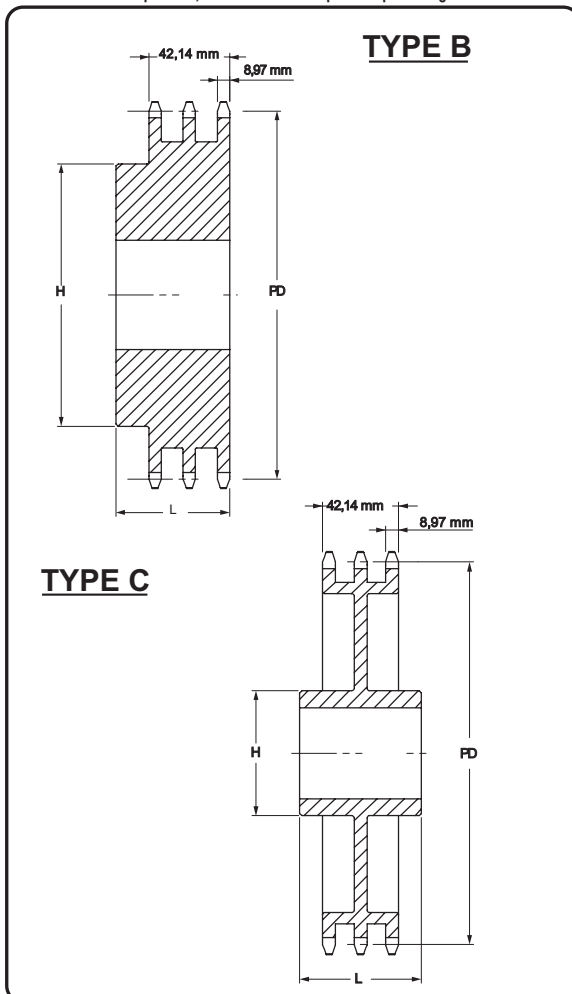
CHAIN DATA	
SIZE :	10B
PITCH :	15.875mm
INSIDE WIDTH :	9.85mm
ROLLER DIAMETER:	10.16mm

How to order :

Chain Pitch	Hub Type	No. of Teeth	Hardned
<b>10B-3</b>	<b>B</b>	<b>11</b>	<b>H</b>

Eg.SP 10B-3 B11

For hardened teeth sprocket, add 'H' after the sprocket profile Eg.SP 10B-3B11H



No. Teeth	Pitch Diameter	Type	Bore		Hub		Weight	Designation
			Min	Max	H	L		
	mm		mm	mm	mm	mm	kg	
11	56,34	B	16	24	39	55	0,68	SP 10B-3B11
12	61,34	B	16	29	44	55	0,82	SP 10B-3B12
13	66,32	B	16	34	49	55	1,05	SP 10B-3B13
14	71,34	B	16	35	54	55	1,23	SP 10B-3B14
15	76,36	B	16	38	59	55	1,36	SP 10B-3B15
16	81,37	B	16	42	64	60	1,55	SP 10B-3B16
17	86,38	B	16	45	69	60	1,81	SP 10B-3B17
18	91,42	B	16	48	74	60	2,09	SP 10B-3B18
19	96,45	B	16	52	79	60	2,40	SP 10B-3B19
20	101,49	B	16	56	84	60	2,72	SP 10B-3B20
21	106,52	B	20	56	85	60	3,04	SP 10B-3B21
22	111,55	B	20	60	90	60	3,36	SP 10B-3B22
23	116,58	B	20	62	95	60	3,67	SP 10B-3B23
24	121,62	B	20	64	100	60	4,00	SP 10B-3B24
25	126,66	B	20	68	105	60	4,31	SP 10B-3B25
26	131,70	B	20	73	110	60	5,18	SP 10B-3B26
27	136,75	B	20	73	110	60	5,63	SP 10B-3B27
28	141,78	B	20	76	115	60	6,04	SP 10B-3B28
29	146,83	B	20	76	115	60	6,22	SP 10B-3B29
30	151,87	B	20	80	120	60	6,36	SP 10B-3B30
32	161,95	B	20	80	120	60	7,26	SP 10B-3B32
35	177,10	B	20	80	120	60	8,60	SP 10B-3B35
36	182,15	B	25	80	120	60	9,34	SP 10B-3B36
38	192,24	B	25	80	120	60	11,03	SP 10B-3B38
45	227,58	B	25	80	130	60	14,94	SP 10B-3B45
48	242,73	B	25	80	130	60	16,62	SP 10B-3B48
57	288,18	B	25	80	130	64	21,77	SP 10B-3B57
60	303,32	B	25	80	130	67	22,22	SP 10B-3B60
76	384,16	C	25	80	130	67	23,13	SP 10B-3C76
80	404,35	C	25	80	130	67	25,14	SP 10B-3C80
95	480,14	C	25	80	130	67	32,66	SP 10B-3C95
114	576,13	C	25	80	130	67	44,76	SP 10B-3C114

For plate type sprocket add "A" in hub type.  
Eg.SP 10B-3 A11

# Shakti Pulley

## 3/4" Pitch

TRIPLEX TYPE

Pilot Bore

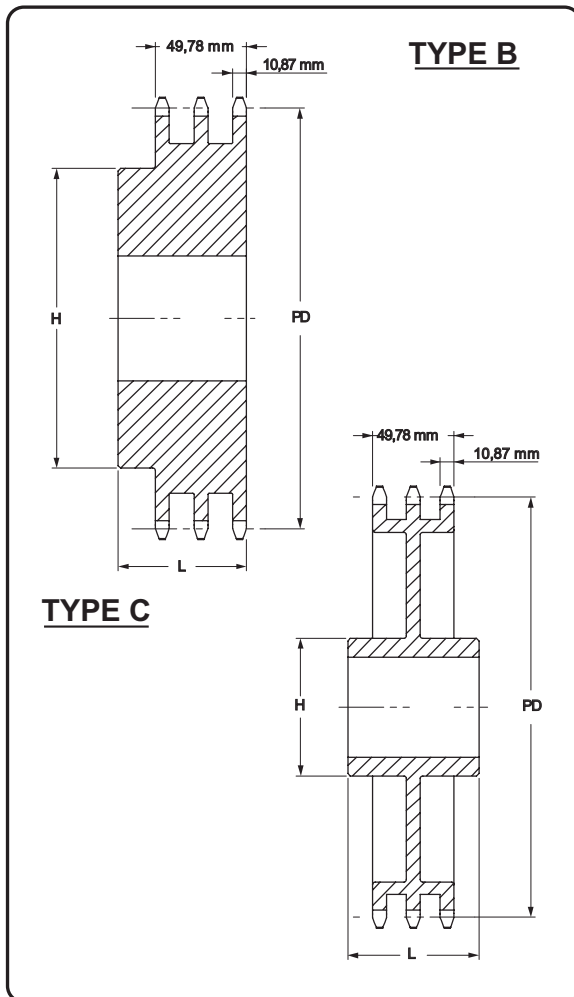
CHAIN DATA	
SIZE :	12B-3
PITCH :	19.05mm
INSIDE WIDTH :	11.70mm
ROLLER DIAMETER:	12.07mm

How to order :

Chain Pitch	Hub Type	No. of Teeth	Hardned
<b>12B-3</b>	<b>B</b>	<b>11</b>	<b>H</b>

Eg.SP 12B-3 B11

For hardened teeth sprocket, add 'H' after the sprocket profile Eg. SP 12B-3B11H



No. Teeth	Pitch Diameter	Type	Bore		Hub		Weight	Designation
			Min	Max	H	L		
			mm	mm	mm	mm		
11	67,61	B	20	32	47	70	1,13	SP 12B-3B11
12	73,61	B	20	36	53	70	1,50	SP 12B-3B12
13	79,59	B	20	38	59	70	1,77	SP 12B-3B13
14	85,61	B	20	42	65	70	2,04	SP 12B-3B14
15	91,63	B	20	45	71	70	2,45	SP 12B-3B15
16	97,65	B	20	51	77	70	2,95	SP 12B-3B16
17	103,67	B	20	54	83	70	3,49	SP 12B-3B17
18	109,71	B	20	60	89	70	3,86	SP 12B-3B18
19	115,75	B	20	62	95	70	4,54	SP 12B-3B19
20	121,78	B	20	64	100	70	5,08	SP 12B-3B20
21	127,82	B	20	64	100	70	5,67	SP 12B-3B21
22	133,86	B	20	64	100	70	5,99	SP 12B-3B22
23	139,90	B	20	73	110	70	6,62	SP 12B-3B23
24	145,94	B	20	73	110	70	7,17	SP 12B-3B24
25	152,00	B	20	80	120	70	7,71	SP 12B-3B25
26	158,04	B	20	80	120	70	8,44	SP 12B-3B26
27	164,09	B	20	80	120	70	8,99	SP 12B-3B27
28	170,13	B	20	80	120	70	9,49	SP 12B-3B28
29	176,19	B	20	80	120	70	9,99	SP 12B-3B29
30	182,25	B	20	80	120	70	10,53	SP 12B-3B30
35	212,52	B	25	85	130	70	18,95	SP 12B-3B35
36	218,58	B	25	85	130	70	19,49	SP 12B-3B36
38	230,69	B	25	85	130	70	20,57	SP 12B-3B38
45	273,10	B	25	85	140	70	24,36	SP 12B-3B45
48	291,27	B	25	85	140	70	25,98	SP 12B-3B48
57	345,81	B	25	82	140	70	33,73	SP 12B-3B57
60	363,99	C	25	82	140	70	35,51	SP 12B-3C60
68	412,49	C	25	82	140	70	40,24	SP 12B-3C68
76	460,99	C	25	95	140	70	37,19	SP 12B-3C76
80	485,22	C	25	95	140	70	39,15	SP 12B-3C80
95	576,17	C	25	95	140	70	47,63	SP 12B-3C95

For plate type sprocket add "A" in hub type.

Eg.SP 12B-3A11

# Shakti Pulley

## 1" Pitch

**TRIPLEX TYPE  
Pilot Bore**

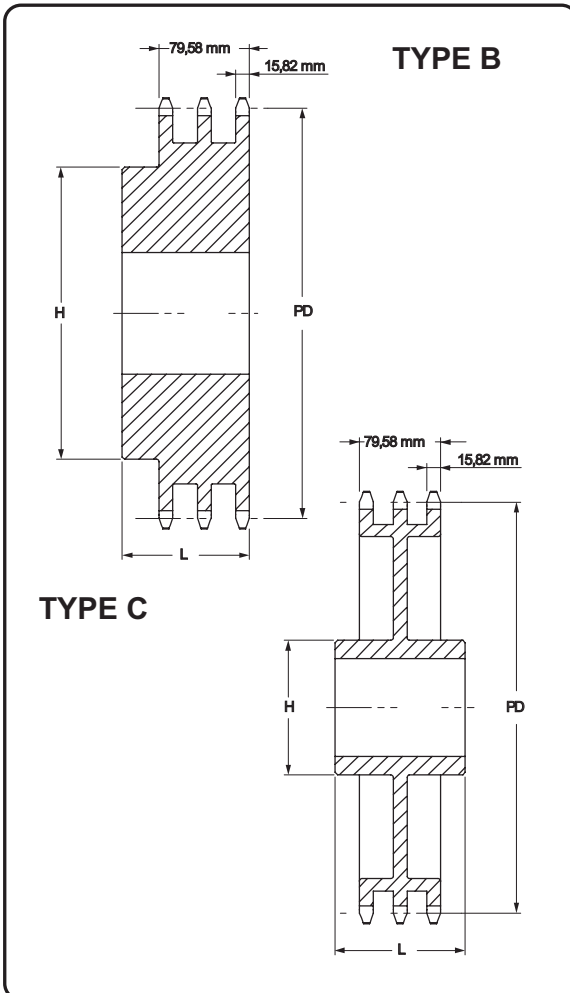
CHAIN DATA	
SIZE :	16B-3
PITCH :	25.40mm
INSIDE WIDTH :	11.70mm
ROLLER DIAMETER:	15.88mm

How to order :

Chain Pitch	Hub Type	No. of Teeth	Hardned
<b>16B-3</b>	<b>B</b>	<b>11</b>	<b>H</b>

Eg.SP 16B-3 B11

For hardened teeth sprocket, add 'H' after the sprocket profile Eg. SP 16B-B11H



No. Teeth	Pitch Diameter	Type	Bore		Hub		Weight	Designation
			Min	Max	H	L		
	mm		mm	mm	mm	mm	kg	
10	90,14	B	20	42	56	95	1,85	SP 16B-3B10
11	90,14	B	25	42	64	100	3,59	SP 16B-3B11
12	98,14	B	25	45	72	100	3,59	SP 16B-3B12
13	106,12	B	25	52	80	100	4,13	SP 16B-3B13
14	114,15	B	25	58	88	100	4,68	SP 16B-3B14
15	122,17	B	25	62	96	100	5,54	SP 16B-3B15
16	130,20	B	25	66	104	100	6,81	SP 16B-3B16
17	138,22	B	25	74	112	100	8,07	SP 16B-3B17
18	146,28	B	25	80	120	100	9,99	SP16B-3B18
19	154,33	B	25	84	128	100	10,89	SP 16B-3B19
20	162,38	B	25	85	130	100	11,80	SP 16B-3B20
21	170,43	B	25	85	130	100	13,61	SP 16B-3B21
22	178,48	B	25	85	130	100	14,07	SP 16B-3B22
23	186,53	B	25	85	130	100	14,97	SP 16B-3B23
24	194,59	B	25	85	130	100	16,34	SP 16B-3B24
25	202,66	B	25	85	130	100	17,70	SP 16B-3B25
26	210,72	B	30	85	130	100	19,98	SP16B-3B26
27	218,79	B	30	85	130	100	21,57	SP 16B-3B27
28	226,85	B	30	85	130	100	23,15	SP 16B-3B28
29	234,92	B	30	85	130	100	24,74	SP 16B-3B29
30	243,00	B	30	95	136	100	26,33	SP 16B-3B30
35	283,36	B	30	95	140	100	36,06	SP 16B-3B35
36	291,44	B	30	95	140	100	38,06	SP 16B-3B36
38	307,59	C	30	97	140	100	38,22	SP 16B-3C38
42	339,89	C	30	97	160	100	38,51	SP 16B-3C42
45	364,13	C	30	97	160	100	41,77	SP 16B-3C45
57	461,07	C	30	107	180	110	54,80	SP 16B-3C57
60	485,32	C	30	107	180	110	58,06	SP 16B-3C60
68	549,98	C	30	107	180	110	63,50	SP 16B-3C68
76	614,65	C	30	107	180	110	74,52	SP 16B-3C76
95	768,22	C	30	114	180	110	100,70	SP 16B-3C95
114	921,81	C	30	114	180	110	120,84	SP 16B-3C114

For plate type sprocket add "A" in hub type.

Eg.SP 16B-3 A11

# Shakti Pulley

## 1 1/4" Pitch

TRIPLEX TYPE

Pilot Bore

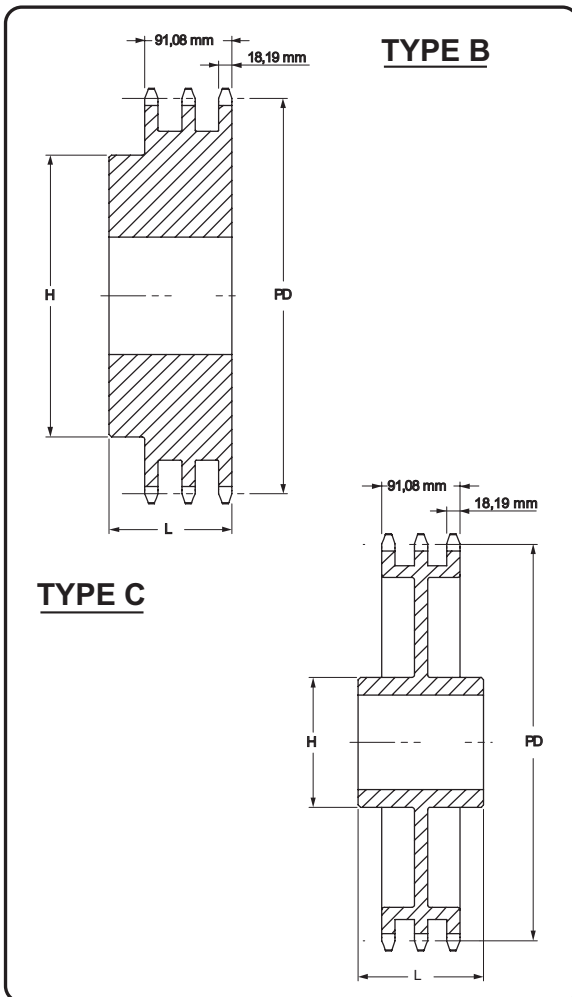
CHAIN DATA	
SIZE :	20B-3
PITCH :	31.75mm
INSIDE WIDTH :	19.58mm
ROLLER DIAMETER:	19.05mm

How to order :

Chain Pitch	Hub Type	No. of Teeth	Hardned
<b>20B-3</b>	<b>B</b>	<b>11</b>	<b>H</b>

Eg. SP 20B-3 B11

For hardened teeth sprocket, add 'H' after the sprocket profile Eg SP 20B-B11H



No. Teeth	Pitch Diameter	Type	Bore		Hub		Weight	Designation
			Min	Max	H	L		
mm		mm		mm	mm	kg		
10	102,75	B	20	47	70	110	3,95	SP 20B-3B10
11	112,70	B	20	52	80	115	5,26	SP 20B-3B11
12	122,67	B	20	60	90	115	6,21	SP 20B-3B12
13	132,67	B	20	64	100	115	9,26	SP 20B-3B13
14	142,68	B	20	73	110	115	9,76	SP 20B-3B14
15	152,71	B	20	80	120	115	10,81	SP 20B-3B15
16	162,75	B	25	80	120	115	12,76	SP 20B-3B16
17	172,79	B	25	80	120	115	14,76	SP 20B-3B17
18	182,84	B	25	80	120	115	16,71	SP 20B-3B18
19	192,90	B	25	80	120	115	19,13	SP 20B-3B19
20	202,96	B	25	80	120	115	21,57	SP 20B-3B20
21	213,03	B	25	92	140	115	23,36	SP 20B-3B21
22	223,10	B	25	92	140	115	25,65	SP 20B-3B22
23	233,17	B	25	92	140	115	27,90	SP 20B-3B23
24	243,25	B	25	95	140	115	27,19	SP 20B-3B24
25	253,32	B	25	95	140	115	27,90	SP 20B-3B25
26	263,41	B	25	95	150	115	31,90	SP 20B-3B26
27	273,49	B	25	95	150	115	35,90	SP 20B-3B27
28	283,57	B	25	95	150	115	39,90	SP 20B-3B28
30	303,75	B	25	95	150	115	47,90	SP 20B-3B30
32	323,92	B	30	95	150	115	51,57	SP 20B-3B32
35	354,20	C	30	97	150	115	57,29	SP 20B-3C35
36	364,29	C	30	97	150	115	59,35	SP 20B-3C36
38	384,48	C	30	97	150	115	62,56	SP 20B-3C38
42	424,86	C	30	97	160	110	70,12	SP 20B-3C42
45	455,15	C	30	97	160	110	75,84	SP 20B-3C45
57	576,35	C	30	102	180	123	100,11	SP 20B-3C57
60	606,66	C	30	102	180	123	104,86	SP 20B-3C60
68	687,48	C	30	102	200	123	117,54	SP 20B-3C68
76	768,30	C	30	102	200	123	130,21	SP 20B-3C76
80	808,71	C	30	102	200	123	136,55	SP 20B-3C80
95	960,28	C	30	102	200	123	160,31	SP 20B-3C95
114	1152,27	C	30	102	200	126	190,41	SP 20B-3C114

For plate type sprocket add "A" in hub type.

Eg.SP 20B-3 A11

**S P S P R O C K E T C A T A L O G 2 0 1 4**



**SPROCKET  
CATALOG**  
**POWER TRANSMISSION**

